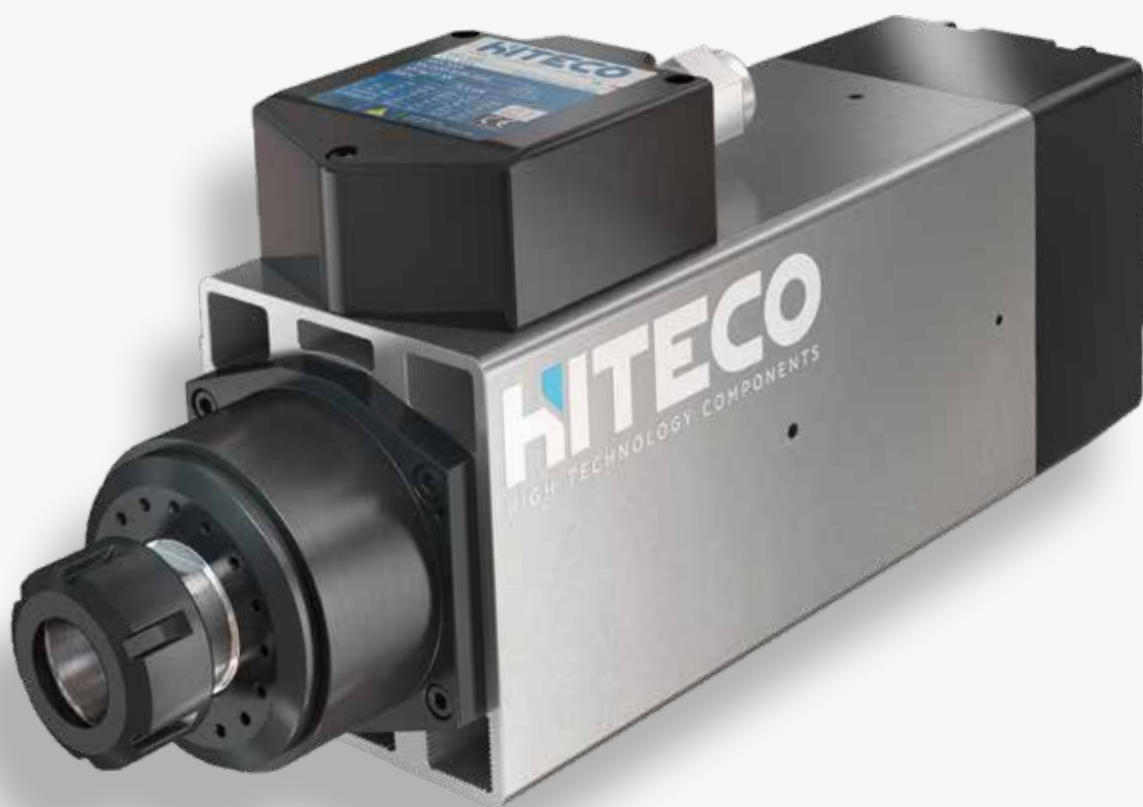


**ELETTROMANDRINI MTC**  
**MTC ELECTROSPINDLES**



## Componenti ad **alta tecnologia** per produttori di macchine utensili.

--  
**High-tech components** for machine tool manufacturers.

Hiteco è specializzata nella progettazione e realizzazione di componenti elettromeccanici industriali ad alta tecnologia per le macchine utensili.

**Elettromandrini A.T.C., elettromandrini M.T.C, teste birotative, teste di foratura ed aggregati.**

--  
Hiteco is specialized in design and manufacture of high technology industrial electromechanical components for machine tools. **A.T.C. electrospindles, M.T.C. electrospindles, birotary heads, boring units and aggregates.**



Hiteco si propone sul mercato internazionale con un'ampia gamma di prodotti per la lavorazione di: **legno, plastica, materiali avanzati, vetro, pietra e metallo.**

--  
Hiteco offers a wide range of products on international market for **wood, plastic, advanced materials, glass, stone and metal processing.**



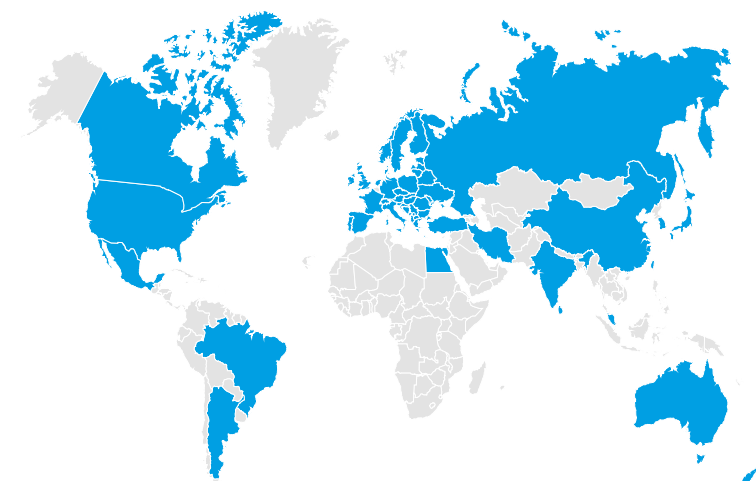
Hiteco nasce nel 1977 come divisione interna di **SCM Group**, azienda leader mondiale nella costruzione di macchine utensili per la lavorazione di una vasta gamma di materiali, realizzando un percorso di crescita esponenziale. Diventa nel 2008 **un'unità di profitto per servire il mercato terzi**. Oggi realizza prodotti di riferimento nel mercato dei componenti, diventando uno tra i più importanti player mondiali nel settore.

--  
Hiteco founded in 1977 as an internal division of the **SCM Group**, leading company in machine tools construction for processing a wide range of materials, had an increasingly exponential growth. In 2008 it become **a profit unit for external customers**. Today Hiteco offers key products for the components market, becoming one of the most important world players in the sector.



## Una **presenza capillare** per un **servizio best-in-class e worldwide.**

--  
**A capillary presence** for a **best-in-class** and **worldwide service.**



**La distribuzione capillare** dell'azienda risponde alla volontà di Hiteco di essere vicina al cliente con la presenza sul territorio di **tecnici specializzati** che sono garanzia di una risposta estremamente rapida e professionale: non solo per ridurre fermi macchina e problemi alla produzione, ma anche per creare valore aggiunto con la proposta di soluzioni efficaci ed innovative. Questa attenzione, oltre ai ridotti tempi di consegna, è uno dei motivi che ha portato Hiteco ad avere la più alta **customer satisfaction** nel mercato internazionale.

--  
**The widespread distribution** of the company responds to the desire of Hiteco to be close to the customer with the presence of **specialized technicians** on the territory who guarantee an extremely rapid and professional response: not only to reduce machine downtimes and production problems, but also to create added value with the proposal of effective and innovative solutions. Such care, in addition to reduced delivery times, is one of the reason that led Hiteco to have the highest **customer satisfaction** on the international market.



# INDICE INDEX



Hiteco si riserva il diritto di apportare migliorie sulle tecnologie e i modelli presentati nel catalogo  
Hiteco reserves the right to make improvements to the technologies and models presented in the catalog

## IDENTIFICAZIONE ELETTROMANDRINI / ELECTROSPINDLE IDENTIFICATION KEY

Example **QE 1F 10/TI 24 63F NC CB EN BT OQ IS**

MODELLO (DIMENSIONE CARCASSA) / MODEL (HOUSING DIMENSION)	
QD	102 X 119,5 mm
	110 X 111 mm
QE	130 X 140 mm
QF	150 X 160 mm
QM	215 X 245 mm, 230x230 mm
QX	130 X 130 mm
PX	150 X 150 mm
HX	150 X 150 mm
QT	150 X 150 mm
HT	150 X 150 mm
HD	130 X 130 mm
KX	Ø 202 mm
ML/MA	Ø 158, Ø 166, 135 x 137, 157 x 165
MG	200 X 200 mm
QN	102 X 119,5 mm
MQH1	205 X 175 mm
XS	70 X 65 mm

RAFFREDDAMENTO / COOLING TYPE	
1F= ELETTOVENTOLA/ ELECTROFAN	
1C= ARIA COMPRESSA/ PRESSED AIR	
2= LIQUIDO/LIQUID	
1= VENTOLA SU ALBERO/ FAN ON SHAFT	

POTENZA NOMINALE (S1) @ VELOCITÀ / RATED POWER (S1) @ SPEED
MAX POTENZA @ VELOCITÀ / MAX POWER @ SPEED

VELOCITÀ MAX / MAX SPEED
--------------------------

ATTACCO UTENSILE / TOOL HOLDER
63F = HSK63F
32E = HSK32E
40E = HSK40E
63E = HSK63E
85S = HSK85S
80F = HSK80F
63A = HSK63A
130 = ISO30
140 = ISO40
ER25
ER32
ER40
ALBERO/SHAFT, D=12, 16, 30, 40, 50

NASO MANDRINO / SPINDLE NOSE
NC= NASO CORTO/SHORT NOSE
NL= NASO LUNGO/LONG NOSE
CH = COMPACT SHORT NOSE
LH = COMPACT LONG NOSE

CONNESSIONE ELETTRICA / ELECTRIC CONNECTION
CB= CONNESSIONE BASE/ BASIC CONNECTION
CC= CONNESSIONE CIRCOLARE/ CIRCULAR CONNECTION
PP= CONNESSIONE RAPIDA/ PLUG AND PLAY CONNECTION
SC= SENZA CONNETTORE/ FLYING CABLE

ENCODER
ES= ENCODER 1 VPP (SYNUSOIDAL WAVE)
EN= ENCODER TTL (SQUARE WAVE)

VOLTAGGIO / VOLTAGE
BT= BITENSIONE / DUAL VOLTAGE 220V/380V
220 V

OPTIONAL
OQ=OIL MIST+MQL (Minimal Quantity Lubrication)
AT= AIR TOOL
OM= OIL MIST
CTS= LUBRIFICAZIONE CTS/ COOLANT THROUGH THE SHAFT

ALTRE VARIANTI/ OTHER VARIANTS	
SENSORE DI VIBRAZIONE/ VIBRATION SENSOR	
MONITORAGGIO TEMPERATURA CUSCINETTI/ BEARING TEMPERATURE MONITORING	
MISURATORE DI VELOCITÀ/ SPEED MONITORING	
SS - SENSORE RITORNO PISTONE/ PISTON BACK SENSOR	
SENSORE DI TEMPERATURA/ TEMPERATURE SENSOR	
iSPINDLE - DIGITAL COMMUNICATION ON FIELDBUS/ COMUNICAZIONE DIGITALE SENSORI SU FIELDBUS	

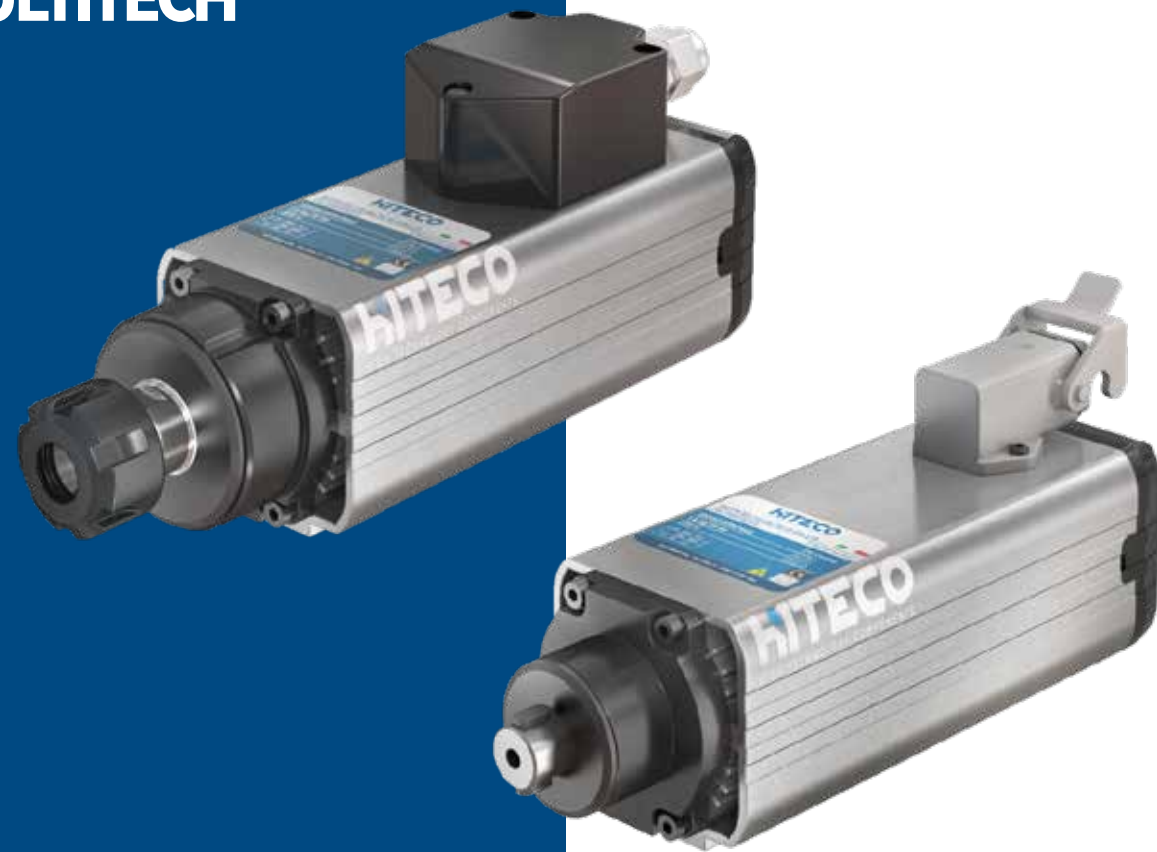


MULTITECH	MULTITECH XS	MULTITECH S	MULTITECH QN	MULTITECH MA	MULTITECH ML	MULTITECH MQH
0.19/12 12		p.15				
0.35/12 12	p. 9					
0.55/12 12	p. 10					
0.65/12 12	p. 11					
1/18 24	p. 12					
1.5/12 12		p. 16				
1.8/12 12		p. 17				
1.5/18 24		p. 18				
3/18 18			p. 21			
3/18 24			p. 19/22			
4.5/18 18			p. 21			
4.5/18 24			p. 22			
6.5/18 18			p. 25			
6.5/18 24			p. 25			
7.5/12 24				p. 27	p. 29/31/33	
8/6 9						p. 41
9.5/12 24					p. 35/37	
10/12 24					p. 29/31/33	
12/12 24					p. 35/37/39	
13/6 9						p. 41

ADDITIONAL EQUIPMENT	
C-AXIS FOR POWERTECH 300-400	p. 42
REFERENCE SLEEVE	p. 42
TOOL HOLDER	p. 43
TOOL FINGER	p. 43
HEAT EXCHANGER	p. 43

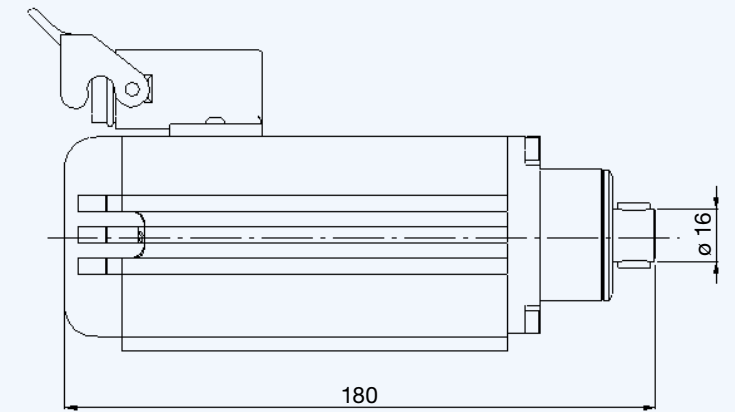
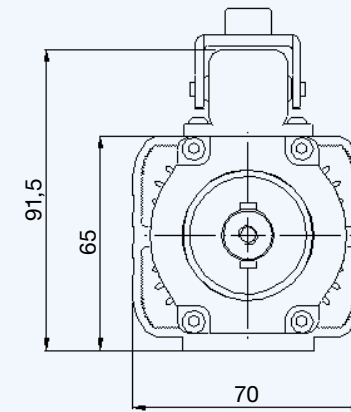


MULTITECH XS



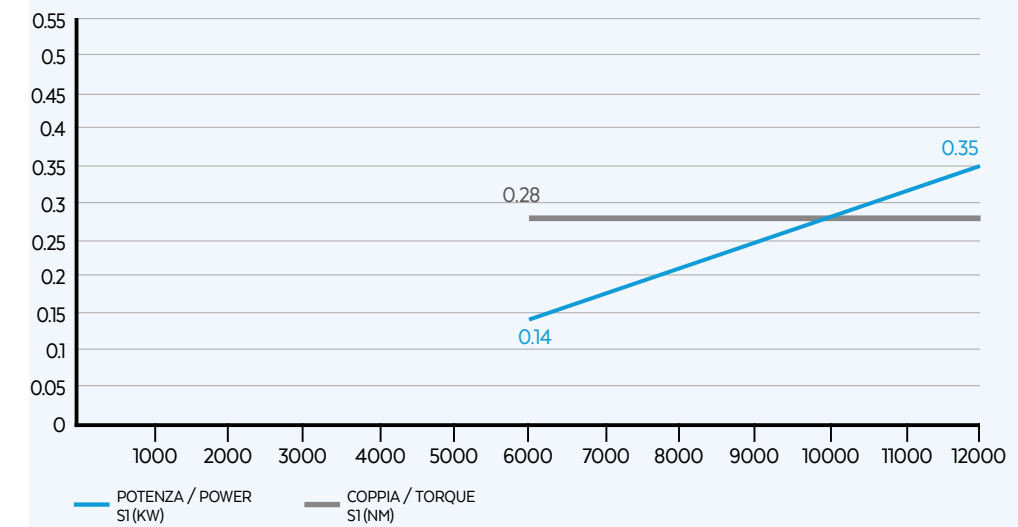
SUITABLE FOR MACHINING WOOD  
EFFICIENT COOLING AND LOW NOISE LEVEL  
SHAFT ROTATION SENSOR

LAYOUT D16 L13 - 0.35 KW



XS-1 0.35/12 12

PRESTAZIONI / PERFORMANCES



SPECIFICHE TECNICHE / TECHNICAL SPECIFICATIONS

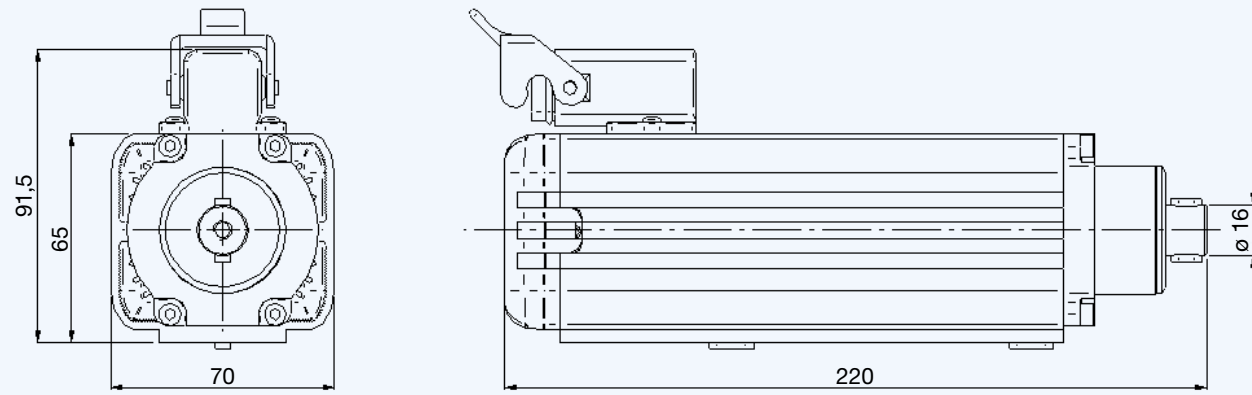
<b>SI kW</b> 0.35	<b>SI A</b> 1.8	<b>Pol es</b> 2
<b>SI Nm</b> 0.28	<b>Volt</b> 220	<b>Supply</b> inverter
<b>rpm</b> 12000	<b>kg</b> 2.7	

EQUIPAGGIAMENTO / EQUIPMENT

- Shaft D16
- Cooling by shaft-driven fan
- Manual tool change (M.T.C.)
- Steel bearings
- Grease lubrication

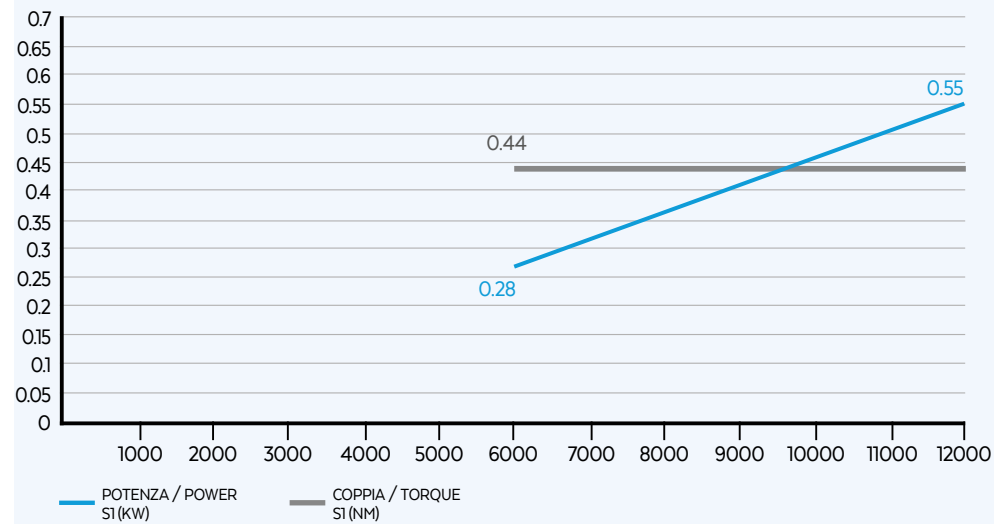


LAYOUT D16 L13 - 0.55 KW



XS-1 0.55/12 12

PRESTAZIONI / PERFORMANCES



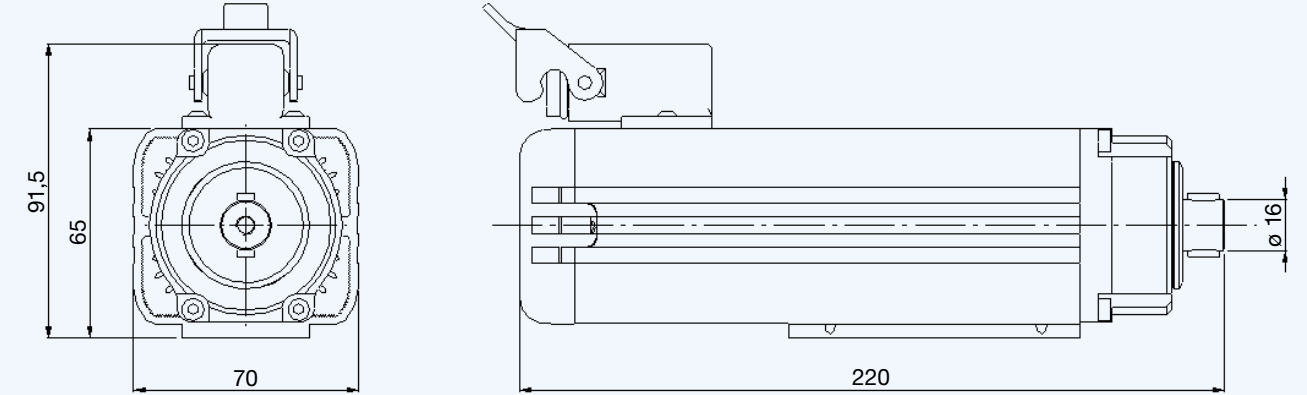
SPECIFICHE TECNICHE / TECHNICAL SPECIFICATIONS

<b>S1 kW</b> 0.55	<b>S1 A</b> 2.7	<b>Pol es</b> 2
<b>S1 Nm</b> 0.44	<b>Volt</b> 220	<b>Supply</b> inverter
<b>rpm</b> 12000	<b>kg</b> 3.2	

EQUIPAGGIAMENTO / EQUIPMENT

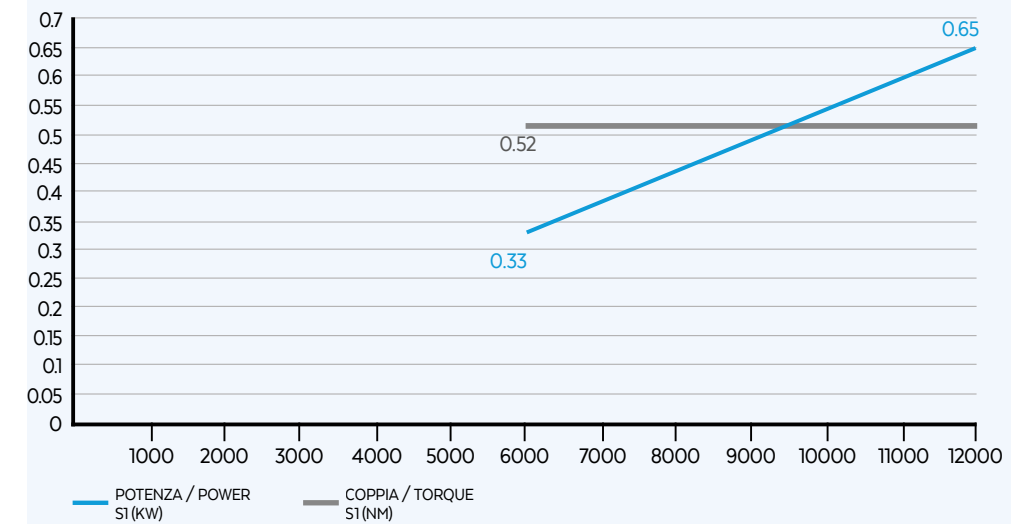
- Shaft D16
- Cooling by shaft-driven fan
- Manual tool change (M.T.C)
- Steel bearings
- Grease lubrication

LAYOUT D16 L13 - 0.65 KW



XS-1 0.65/12 12

PRESTAZIONI / PERFORMANCES



SPECIFICHE TECNICHE / TECHNICAL SPECIFICATIONS

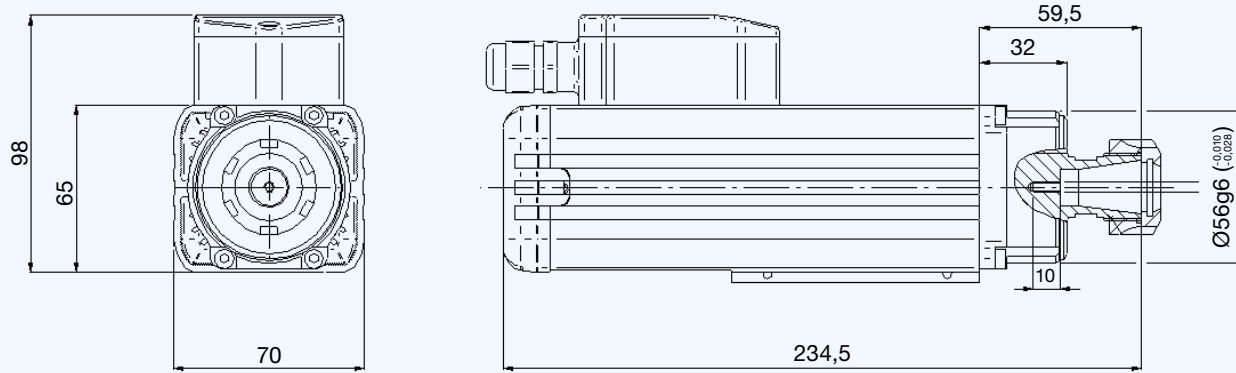
<b>S1 kW</b> 0.65	<b>S1 A</b> 3	<b>Pol es</b> 2
<b>S1 Nm</b> 0.52	<b>Volt</b> 220	<b>Supply</b> inverter
<b>rpm</b> 12000	<b>kg</b> 3.3	

EQUIPAGGIAMENTO / EQUIPMENT

- Shaft D16
- Cooling by shaft-driven fan
- Manual tool change (M.T.C)
- Steel bearings
- Grease lubrication

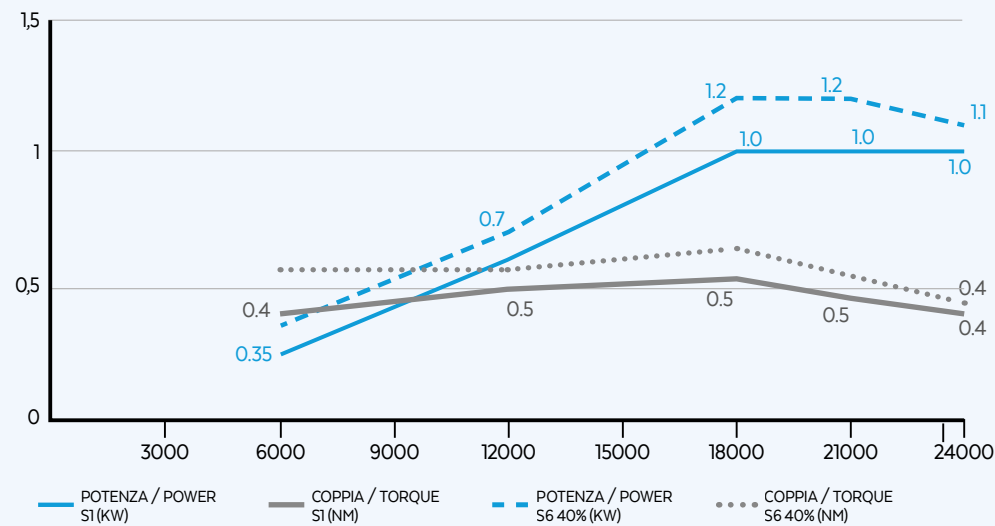


LAYOUT ER20 DX BT - 1 KW



XS-11/18 24

PRESTAZIONI / PERFORMANCES

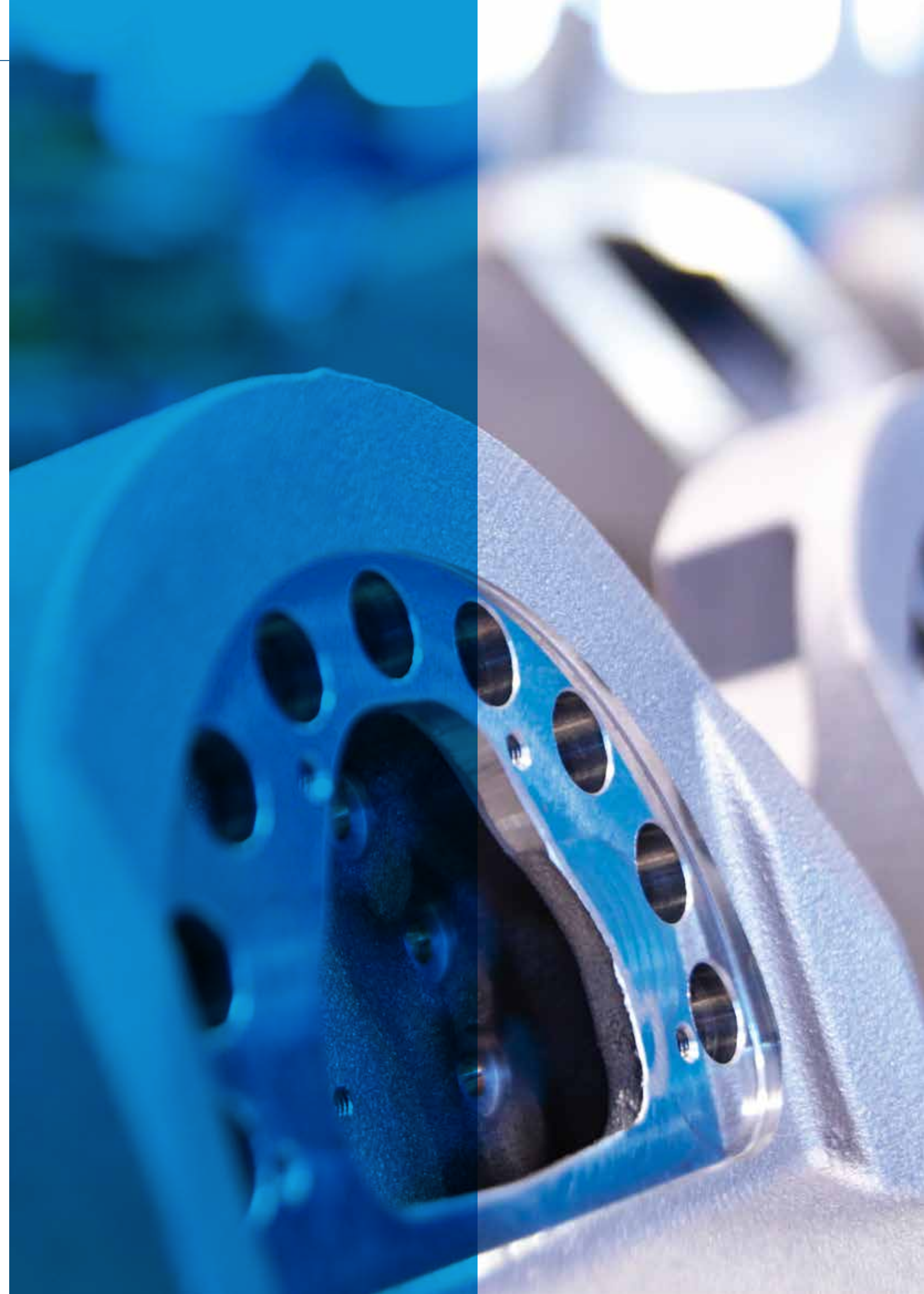


SPECIFICHE TECNICHE / TECHNICAL SPECIFICATIONS

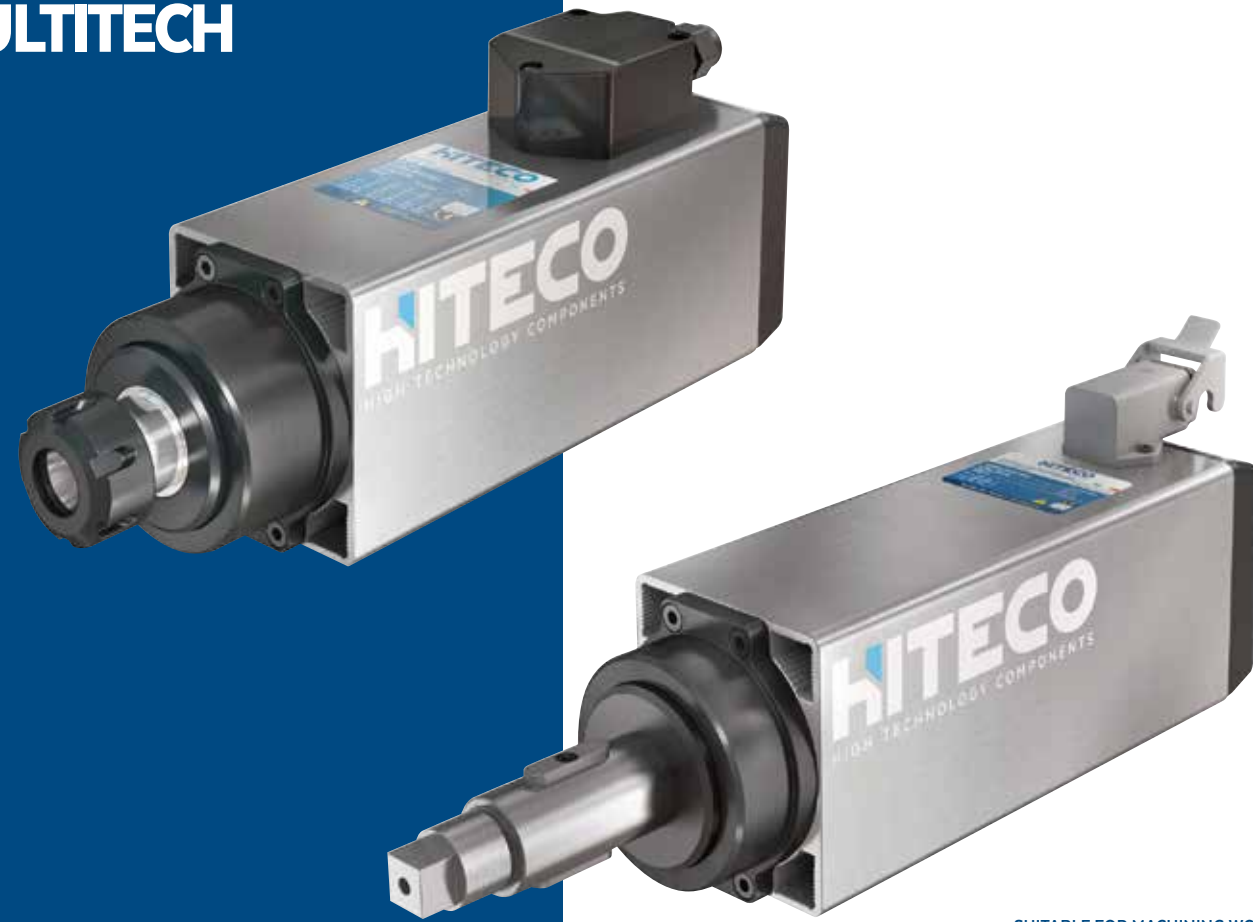
- Power:** 1/1.2 kW
- Current:** 3/3.5 A
- Speed:** 24000 rpm
- Voltage:** 220/380 Volt
- Weight:** 3 kg
- Supply:** inverter

EQUIPAGGIAMENTO / EQUIPMENT

- Model:** ER 20DX
- Material:** Steel bearings
- Cooling:** Cooling by shaft-driven fan
- Lubrication:** Grease lubrication
- Tool Change:** Manual tool change (M.T.C)

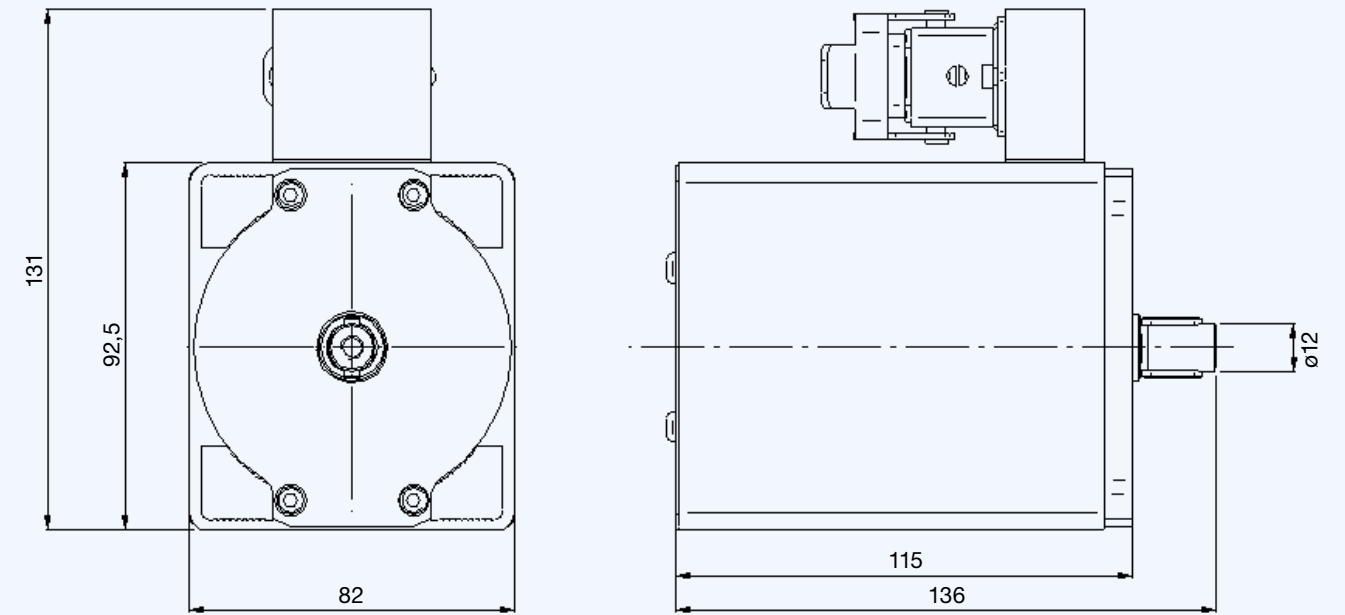


MULTITECH  
S



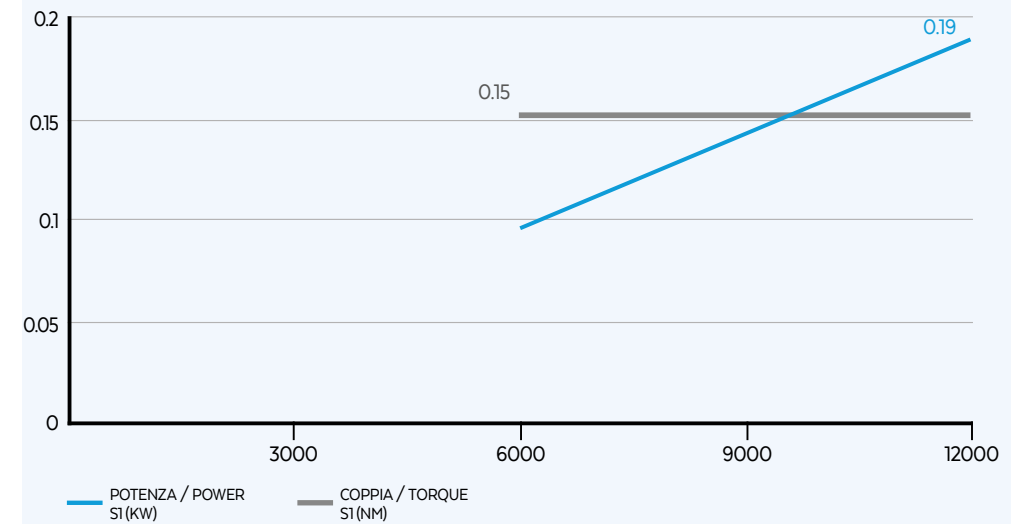
SUITABLE FOR MACHINING WOOD  
EFFICIENT COOLING AND LOW NOISE LEVEL  
SHAFT ROTATION SENSOR

LAYOUT D12 L 19 - 0.19 KW



S-1 0.19/12 12

PRESTAZIONI / PERFORMANCES



SPECIFICHE TECNICHE / TECHNICAL SPECIFICATIONS

<b>S1</b> kW 0.19	<b>S1</b> A 1.4	<b>Pol</b> es 2
<b>S1</b> Nm 0.15	<b>Volt</b> 220	<b>Supply</b> inverter
<b>rpm</b> 12000	<b>kg</b> 2	

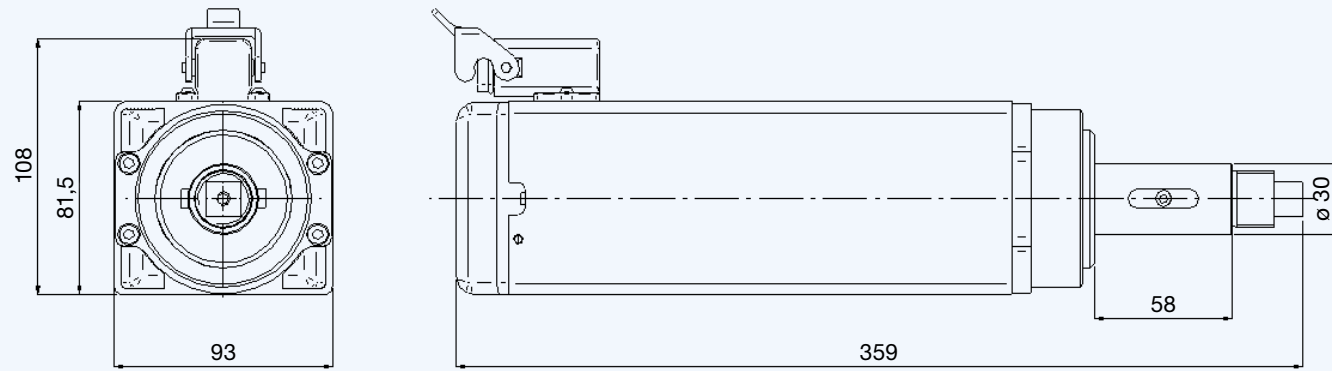
EQUIPAGGIAMENTO / EQUIPMENT

- Shaft D12
- Cooling by shaft-driven fan
- Manual tool change (M.T.C.)
- Steel bearings
- Grease lubrication



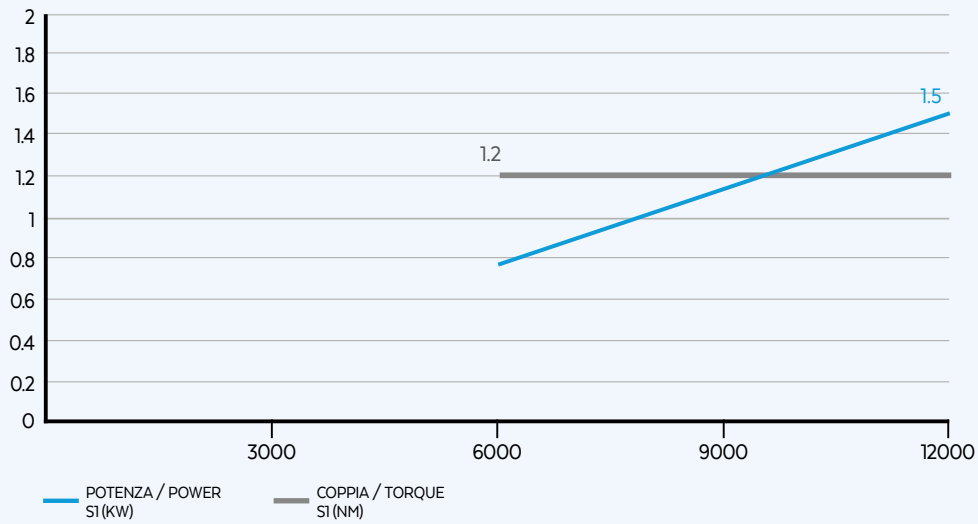


LAYOUT D30 L58 - 1.5 KW



S-11.5/12 12

PRESTAZIONI / PERFORMANCES



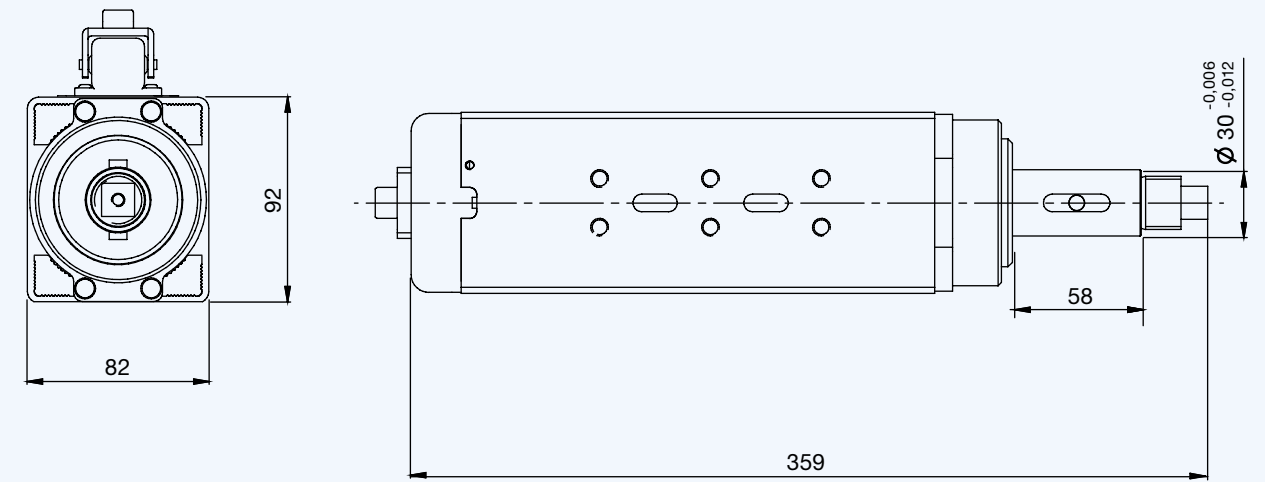
SPECIFICHE TECNICHE / TECHNICAL SPECIFICATIONS

**1.5 kW**  
**5.7 A**  
**2 Poles**  
**220 Volt**  
**12000 rpm**  
**8 kg**  
**inverter Supply**

EQUIPAGGIAMENTO / EQUIPMENT

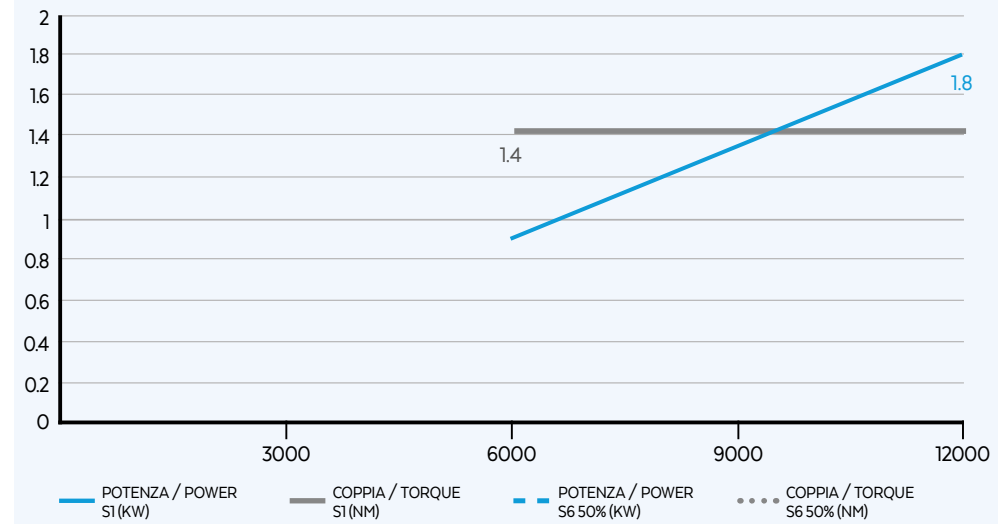
Shaft D30  
 Steel bearings  
 Cooling by shaft-driven fan  
 Grease lubrication  
 Manual tool change (M.T.C)

LAYOUT D30 L58 - 1.8 KW



S-11.8/12 12

PRESTAZIONI / PERFORMANCES



SPECIFICHE TECNICHE / TECHNICAL SPECIFICATIONS

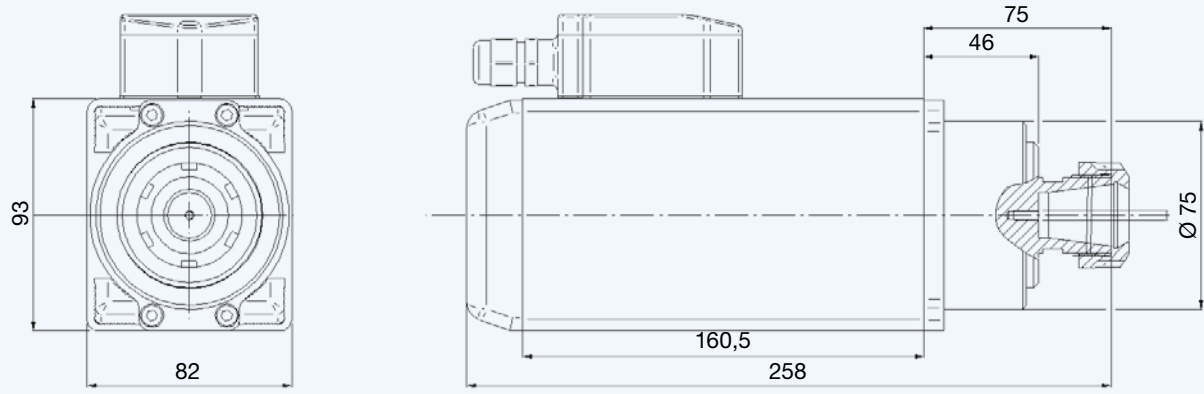
**1.8 kW**  
**6.5 A**  
**2 Poles**  
**220 Volt**  
**12000 rpm**  
**8 kg**  
**inverter Supply**

EQUIPAGGIAMENTO / EQUIPMENT

Shaft D30  
 Ceramic ball bearings  
 Cooling by shaft-driven fan  
 Grease lubrication  
 Manual tool change (M.T.C)

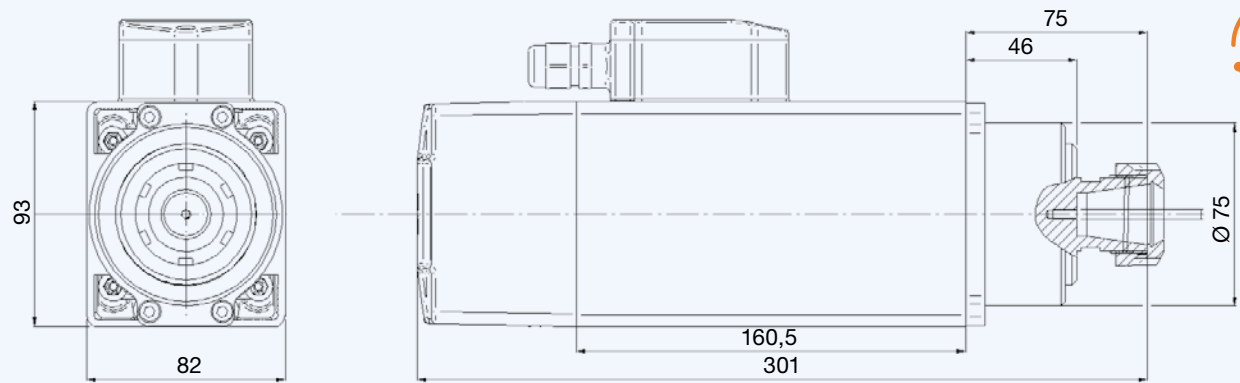
LAYOUT ER25 DX BT

COOLING BY SHAFT-DRIVEN FAN



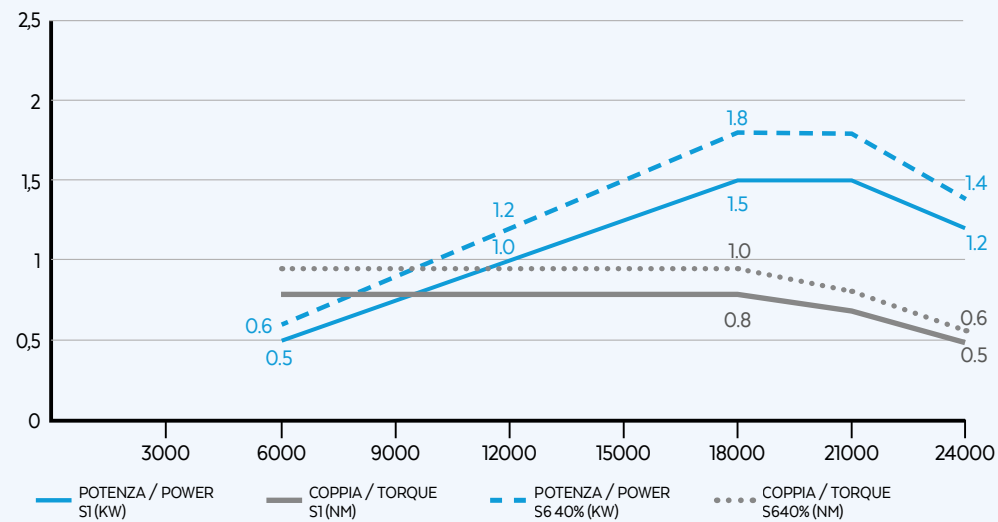
LAYOUT ER25 DX BT

ELECTROFAN COOLING



S-11.5/18 24

PRESTAZIONI / PERFORMANCES



OPZIONALI / OPTIONS



SPECIFICHE TECNICHE / TECHNICAL SPECIFICATIONS

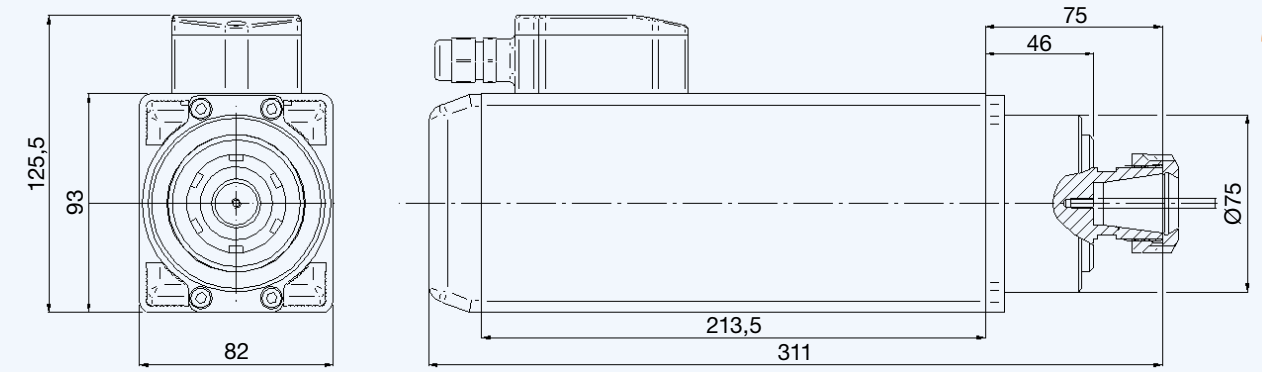
**S1-S6 kW** 1.5/1.8  
**S1-S6 A** 3.5/4.0  
**S1-S6 Nm** 0.8/1.0  
**rpm** 24000  
**S1-S6** 2  
**Volt** 220/380  
**Supply** inverter

EQUIPAGGIAMENTO / EQUIPMENT

ER25 DX  
 Cooling by shaft-driven fan  
 Manual tool change (M.T.C.)  
 Steel bearings  
 Grease lubrication

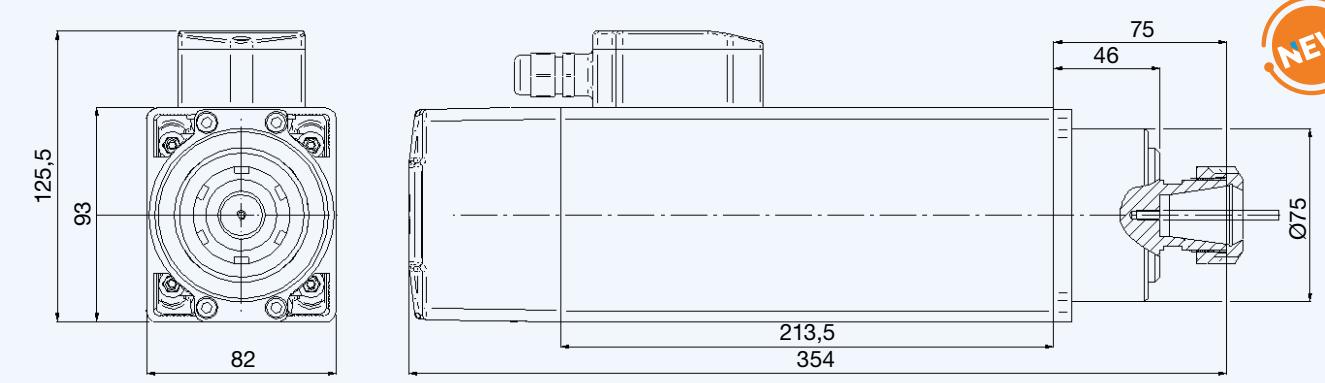
LAYOUT ER25 DX BT

COOLING BY SHAFT-DRIVEN FAN



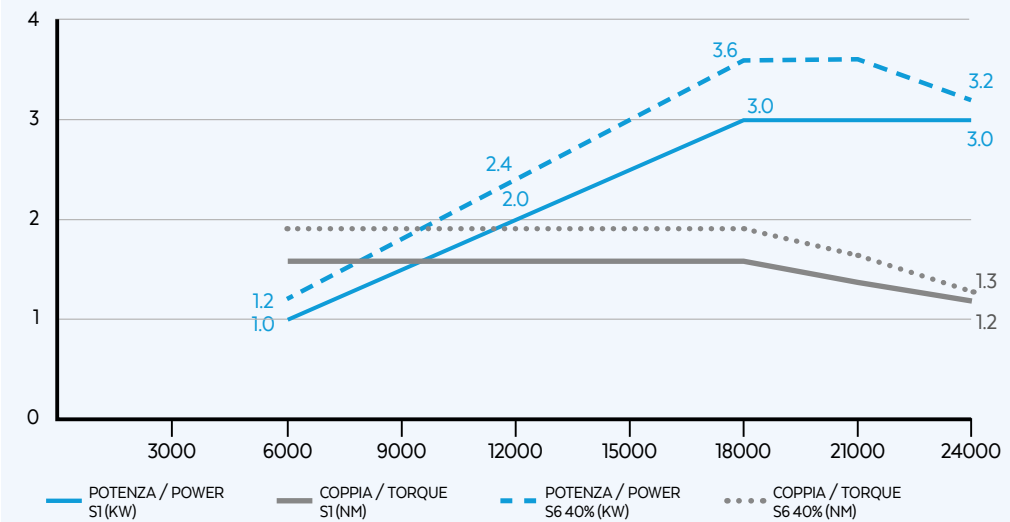
LAYOUT ER25 DX BT

ELECTROFAN COOLING



S-13/18 24

PRESTAZIONI / PERFORMANCES



OPZIONALI / OPTIONS



SPECIFICHE TECNICHE / TECHNICAL SPECIFICATIONS

**S1-S6 kW** 3/3.6  
**S1-S6 A** 6.5/7  
**S1-S6 Nm** 1.6/1.9  
**rpm** 24000  
**S1-S6** 2  
**Volt** 220/380  
**Supply** inverter

EQUIPAGGIAMENTO / EQUIPMENT

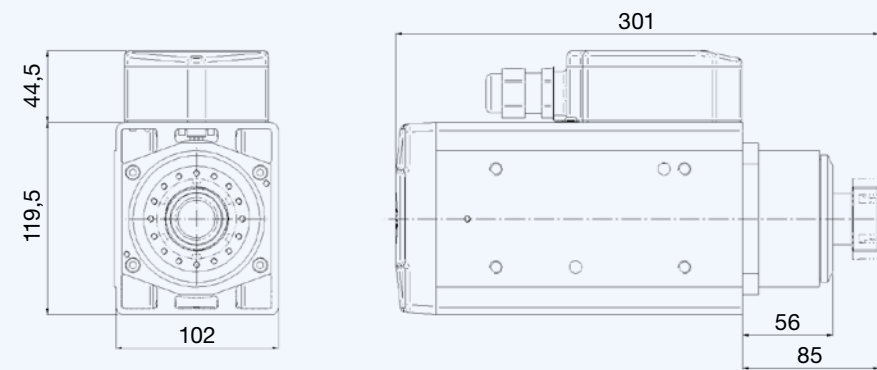
ER25 DX  
 Cooling by shaft-driven fan  
 Manual tool change (M.T.C.)  
 Ceramic ball bearings  
 Grease lubrication

# MULTITECH QN



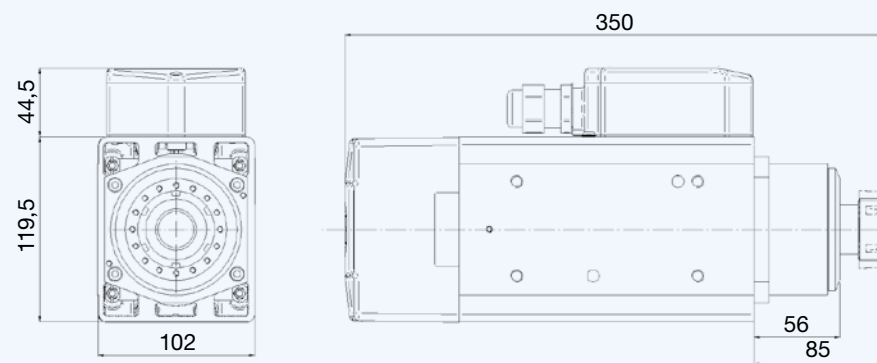
SUITABLE FOR MACHINING WOOD AND ALUMINUM  
AVAILABLE WITH ELECTROFAN, COMPRESSED AIR AND SHAFT-POWERED FAN COOLING  
AVAILABLE WITH CERAMIC BEARINGS AVAILABLE WITH ER 32 AND HSK 40C

## LAYOUT ER 32 DX



## COOLING BY SHAFT - DRIVEN FAN

## LAYOUT ER 32 DX



## ELECTROFAN COOLING

## ALTRI LAYOUT / OTHER LAYOUTS

L tot

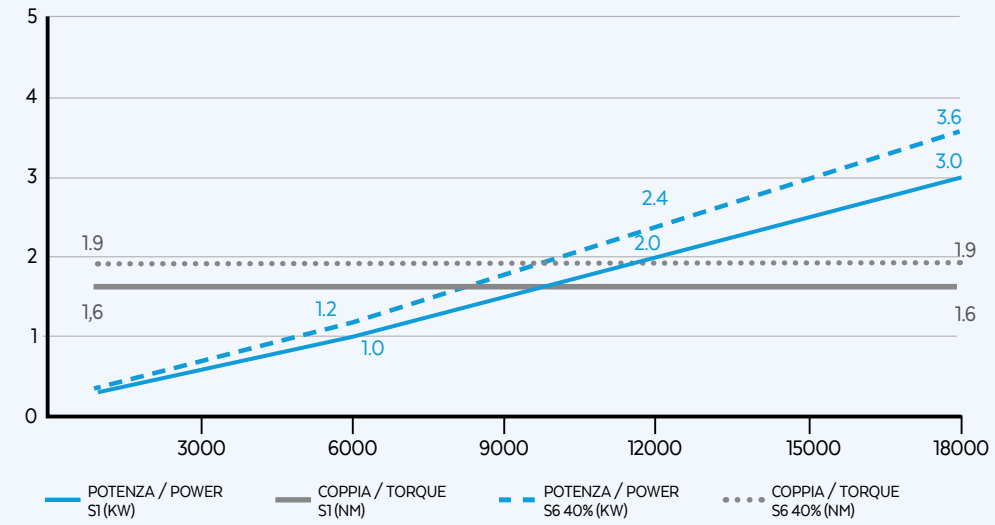
Aria compressa / Compressed air

306 mm

## QN-1 3/18 18 BT

## COOLING BY SHAFT-DRIVEN FAN

### PRESTAZIONI / PERFORMANCES



### OPZIONALI / OPTIONS

- Compressed air cooling
- Electrofan cooling

### SPECIFICHE TECNICHE / TECHNICAL SPECIFICATIONS

- S1-S6 kW** 3/3.6
- S1-S6 A** 8/8.5
- Pol es** 2
- S1-S6 Nm** 1.6/1.9
- Volt** 220/380
- Supply** inverter
- rpm** 18000
- kg** 14

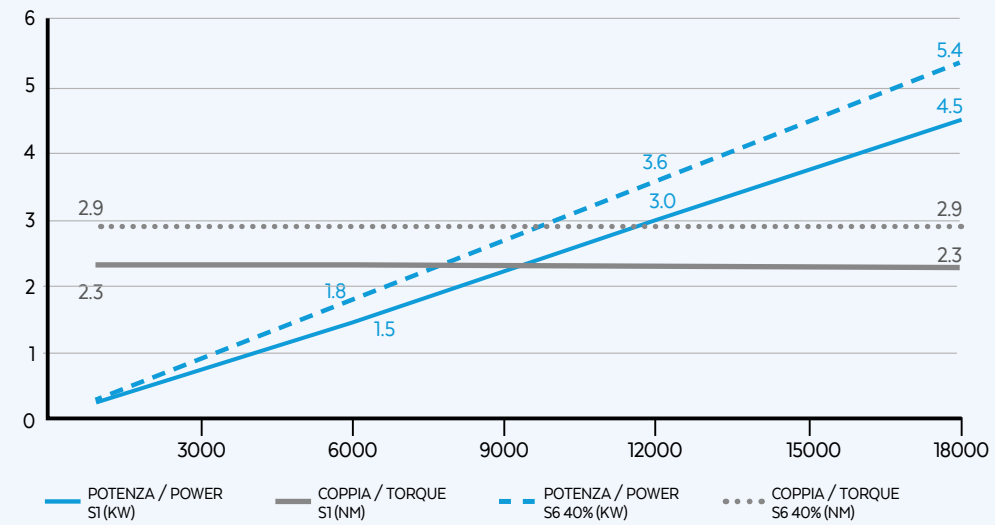
### EQUIPAGGIAMENTO / EQUIPMENT

- ER32DX
- Cooling by shaft-driven fan
- Manual tool change (M.T.C.)
- Steel bearings
- Grease lubrication

## QN-1 4.5/18 18 BT

## COOLING BY SHAFT-DRIVEN FAN

### PRESTAZIONI / PERFORMANCES



### OPZIONALI / OPTIONS

- Compressed air cooling
- Electrofan cooling

### SPECIFICHE TECNICHE / TECHNICAL SPECIFICATIONS

- S1-S6 kW** 4.5/5.4
- S1-S6 A** 9.5/15
- Pol es** 2
- S1-S6 Nm** 2.3/2.9
- Volt** 220/380
- Supply** inverter
- rpm** 18000
- kg** 14

### EQUIPAGGIAMENTO / EQUIPMENT

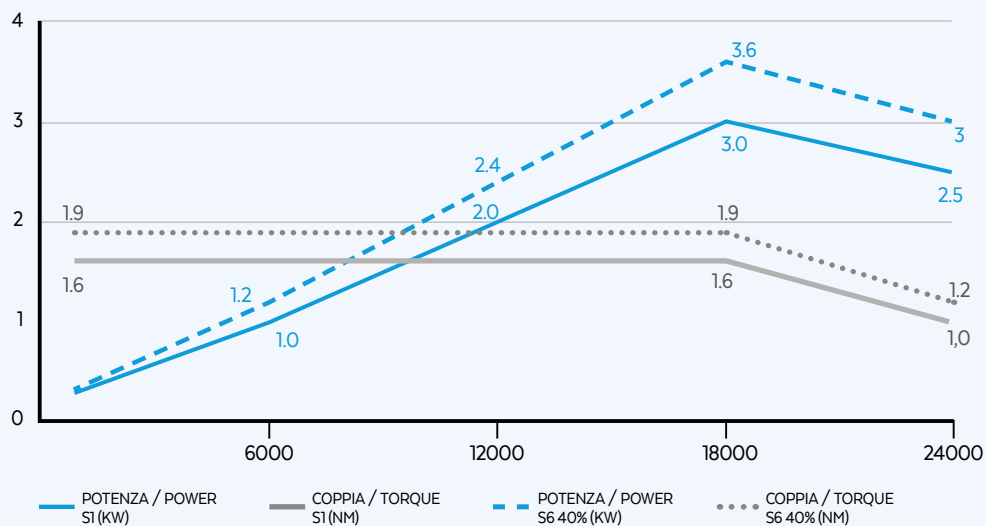
- ER32DX
- Cooling by shaft-driven fan
- Manual tool change (M.T.C.)
- Steel bearings
- Grease lubrication



QN-IF 3/18 24 BT

ELECTROFAN COOLING

PRESTAZIONI / PERFORMANCES



OPZIONALI / OPTIONS



SPECIFICHE TECNICHE / TECHNICAL SPECIFICATIONS

**SI-S6 kW** 3/3.6  
**SI-S6 Nm** 1.6/1.9  
**rpm** 24000  
**SI-S6 A** 8/9  
**Volt** 220/380  
**kg** 14  
**Pol es** 2  
**Supply inverter**

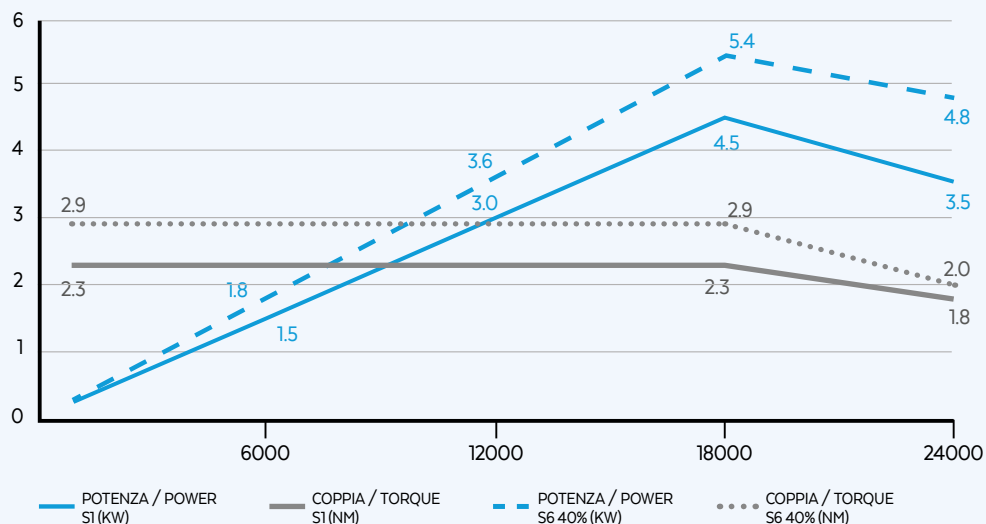
EQUIPAGGIAMENTO / EQUIPMENT

ER32DX  
 Electrofan cooling  
 Manual tool change (M.T.C.)  
 Grease lubrication  
 Ceramic ball bearings

QN-IF 4.5/18 24 BT

ELECTROFAN COOLING

PRESTAZIONI / PERFORMANCES



OPZIONALI / OPTIONS



SPECIFICHE TECNICHE / TECHNICAL SPECIFICATIONS

**SI-S6 kW** 4.5/5.4  
**SI-S6 Nm** 2.3/2.9  
**rpm** 24000  
**SI-S6 A** 10/15  
**Volt** 220/380  
**kg** 14  
**Pol es** 2  
**Supply inverter**

EQUIPAGGIAMENTO / EQUIPMENT

ER32DX  
 Electrofan cooling  
 Manual tool change (M.T.C.)  
 Grease lubrication  
 Ceramic ball bearings



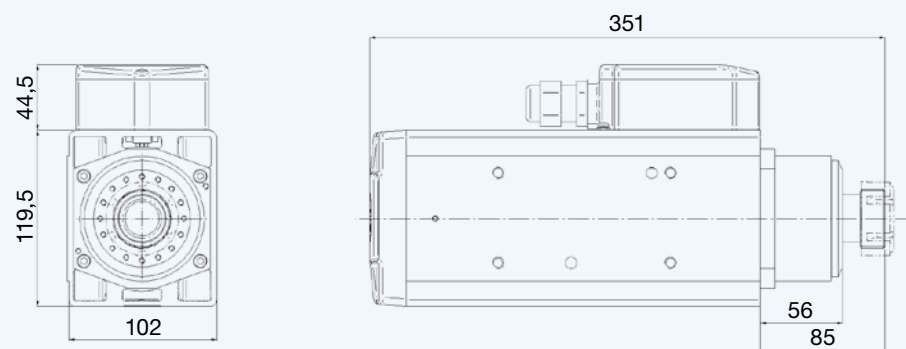
# MULTITECH QN



SUITABLE FOR MACHINING WOOD AND ALUMINUM  
AVAILABLE WITH ELECTROFAN, COMPRESSED AIR AND SHAFT-POWERED FAN COOLING  
AVAILABLE WITH CERAMIC BEARINGS AVAILABLE WITH ER 32 AND HSK 40C

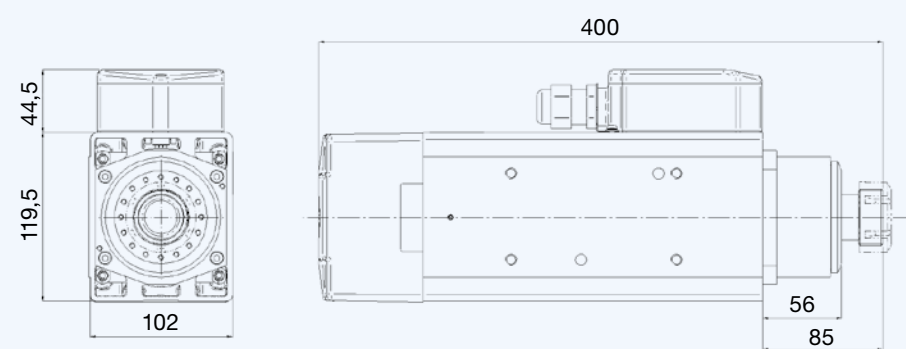
## LAYOUT ER 32 DX

## COOLING BY SHAFT - DRIVEN FAN



## LAYOUT ER 32 DX

## ELECTROFAN COOLING



L tot

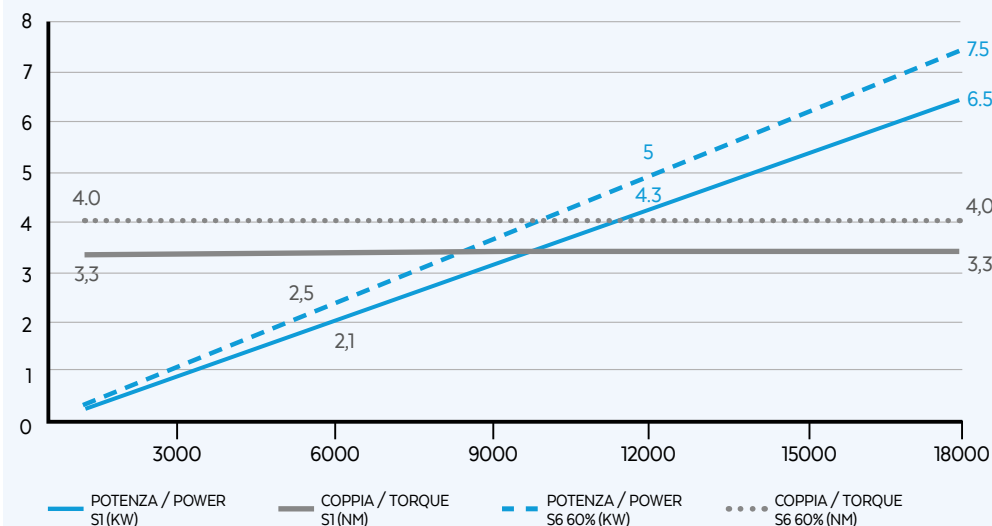
356 mm

Aria compressa / Compressed air

## QN-1 6.5/18 18 BT

## COOLING BY SHAFT-DRIVEN FAN

### PRESTAZIONI / PERFORMANCES



### OPZIONALI / OPTIONS

- HSK 40C
- COMPRESSED AIR Compressed air cooling
- Electrofan cooling



### SPECIFICHE TECNICHE / TECHNICAL SPECIFICATIONS

- S1-S6 kW 6.5/7.5
- S1-S6 A 13/15
- Pol es 2
- S1-S6 Nm 3.3/4
- Volt 220/380
- Supply inverter
- rpm 18000
- kg 14

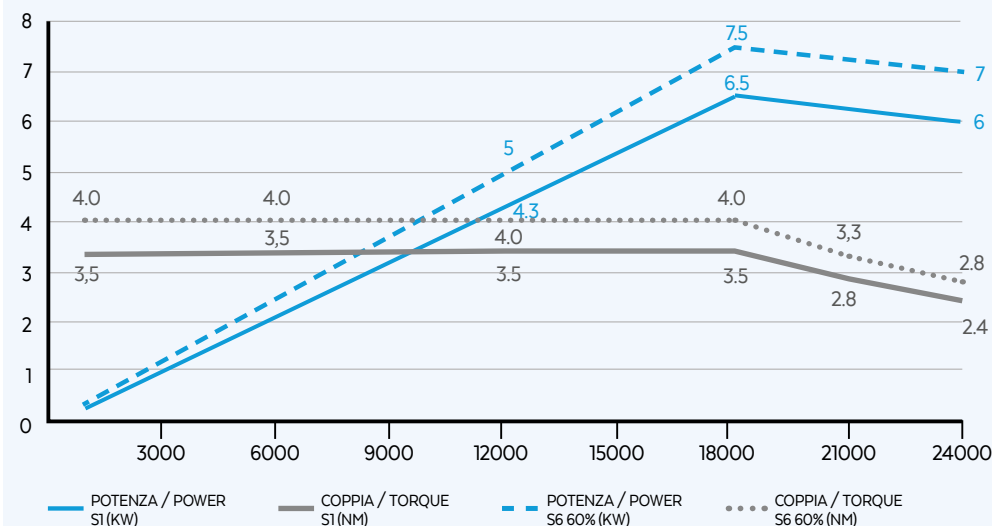
### EQUIPAGGIAMENTO / EQUIPMENT

- ER32DX
- cooling by shaft-driven fan
- Manual tool change (M.T.C)
- Grease lubrication
- Steel bearings

## QN-1F 6.5/18 24 BT

## ELECTROFAN COOLING

### PRESTAZIONI / PERFORMANCES



### OPZIONALI / OPTIONS

- HSK 40C
- COMPRESSED AIR Compressed air cooling
- Electrofan cooling



### SPECIFICHE TECNICHE / TECHNICAL SPECIFICATIONS

- S1-S6 kW 6.5/7.5
- S1-S6 A 13/15
- Pol es 2
- S1-S6 Nm 3.5/4
- Volt 220/380
- Supply inverter
- rpm 24000
- kg 14

### EQUIPAGGIAMENTO / EQUIPMENT

- ER32DX
- Electrofan cooling
- Manual tool change (M.T.C)
- Grease lubrication
- Ceramic ball bearings

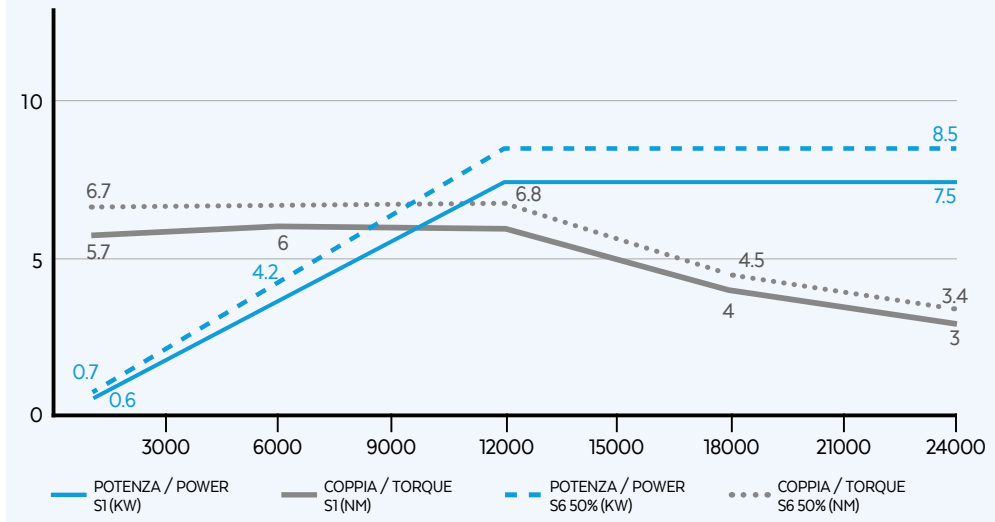
# MULTITECH MA



SUITABLE FOR MACHINING LATEST MATERIALS IN DUST ENVIRONMENTS  
EASY ASSEMBLING ON BIROTARY HEADS  
VERY EFFICIENT COMPRESSED AIR COOLING  
AVAILABLE WITH ER 32

## MA-1C 7.5/12 24

### PRESTAZIONI / PERFORMANCES



### SPECIFICHE TECNICHE / TECHNICAL SPECIFICATIONS

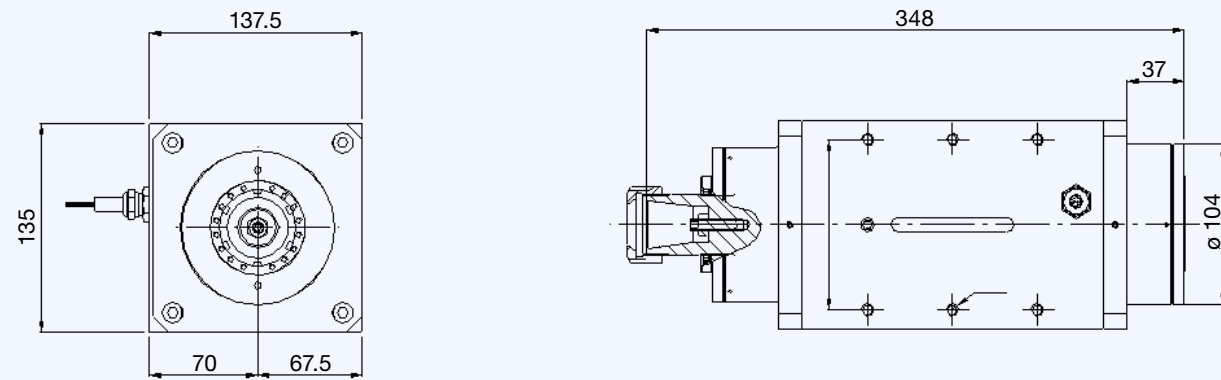
<b>S1-S6</b> <b>kW</b> 7.5/8.5	<b>S1-S6</b> <b>A</b> 16/17	<b>Pol</b> <b>es</b> 4
<b>S1-S6</b> <b>Nm</b> 6/6.8	<b>Volt</b> 380	<b>Supply</b> inverter
<b>rpm</b> 24000	<b>kg</b> 22	

### EQUIPAGGIAMENTO / EQUIPMENT

- ER 32DX/SX
- Compressed air cooling
- Manual tool change (M.T.C)
- Grease lubrication
- Ceramic ball bearings
- Labyrinth with air seal

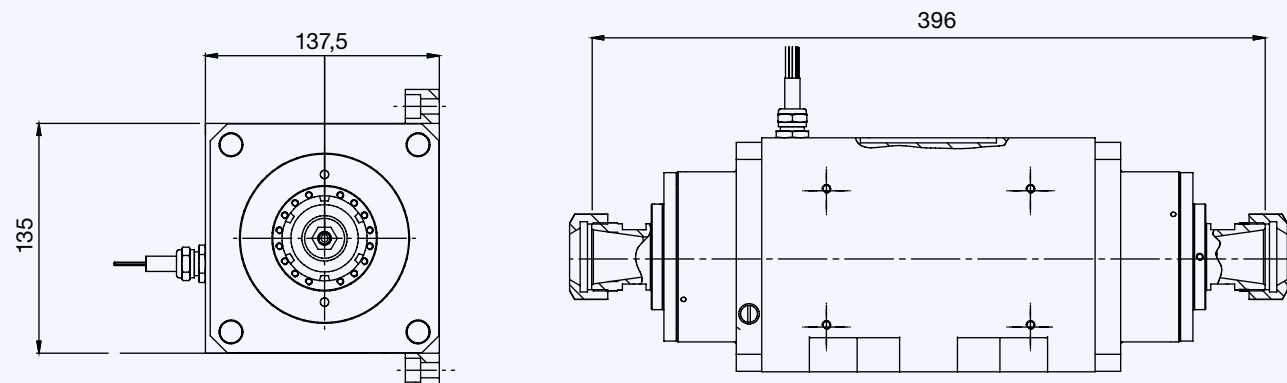
### LAYOUT ER32 DX

### 1 END



### LAYOUT ER32 DX-SX

### 2 ENDS





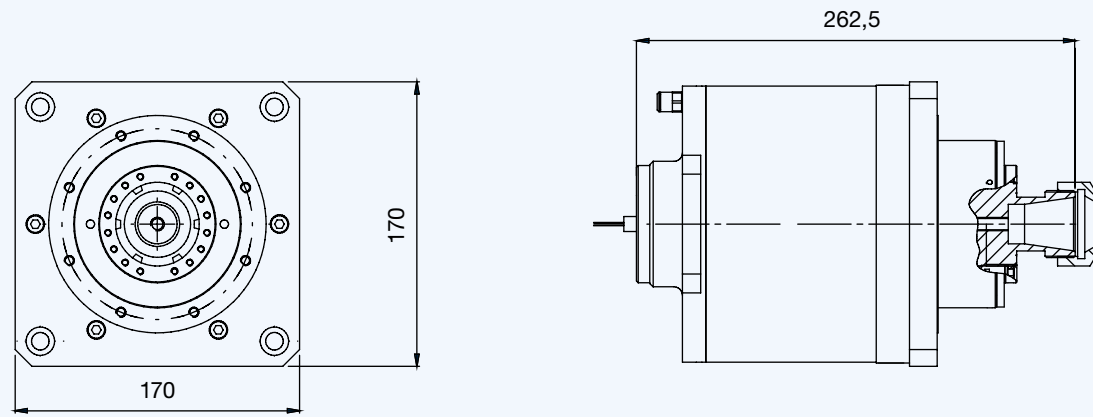
# MULTITECH ML

SUITABLE FOR MACHINING LATEST MATERIALS IN DUST ENVIRONMENTS  
EASY ASSEMBLING ON BIROTARY HEADS  
VERY EFFICIENT COMPRESSED AIR COOLING  
AVAILABLE WITH ER 32 AND ER 40



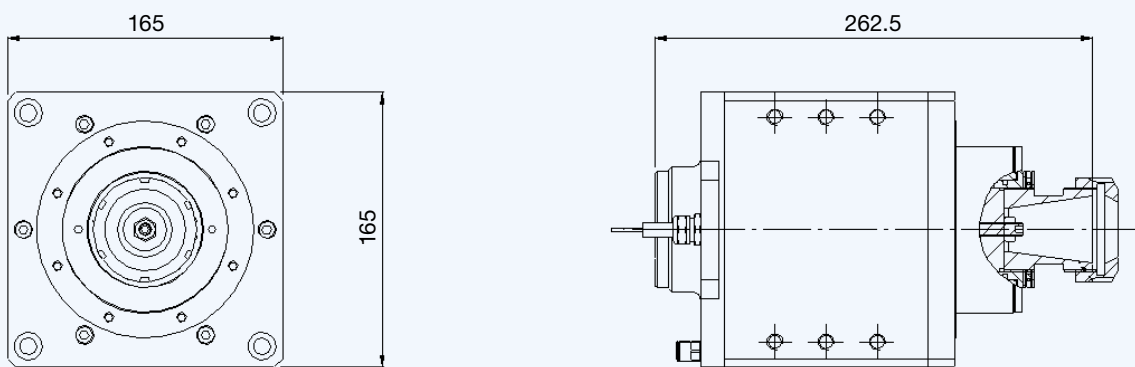
LAYOUT ER32 DX

1 END



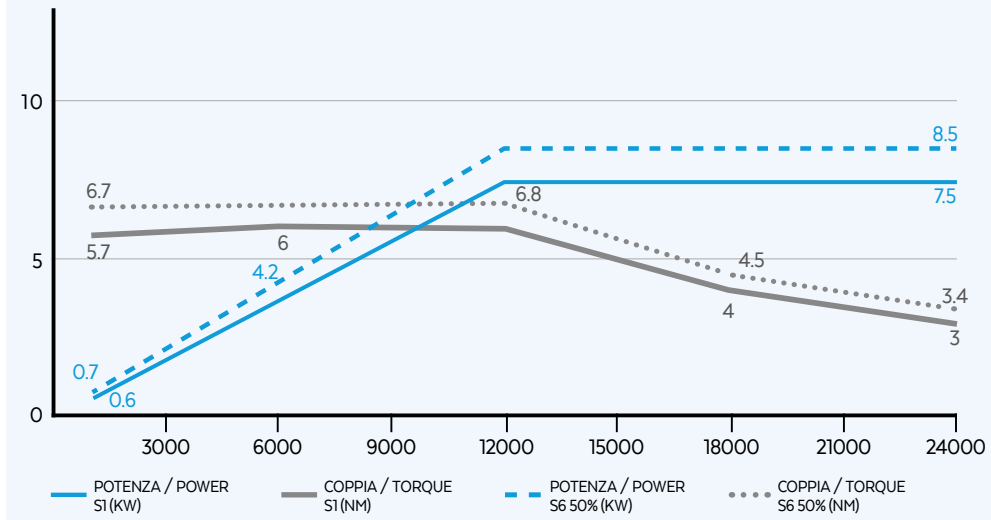
LAYOUT ER32 DX

1 END



## ML-1C 7.5/12 24

### PRESTAZIONI / PERFORMANCES



### OPZIONALI / OPTIONS



### SPECIFICHE TECNICHE / TECHNICAL SPECIFICATIONS

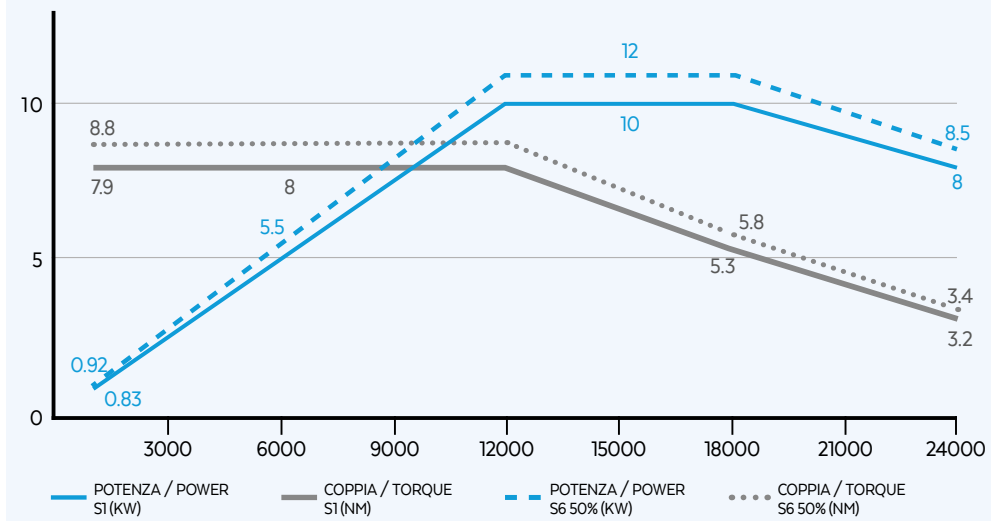
**S1-S6 kW** 7.5/8.5  
**S1-S6 Nm** 6/6.8  
**rpm** 24000  
**S1-S6 A** 16/17  
**Volt** 380  
**kg** 22  
**Pol es** 4  
**Supply** inverter

### EQUIPAGGIAMENTO / EQUIPMENT

**ER 32 DX**  
**COMPRESSED AIR** Compressed air cooling  
**Manual tool change (M.T.C.)**  
**Ceramic ball bearings**  
**Labyrinth with air seal**  
**Grease lubrication**

## ML-1C 10/12 24

### PRESTAZIONI / PERFORMANCES



### OPZIONALI / OPTIONS



### SPECIFICHE TECNICHE / TECHNICAL SPECIFICATIONS

**S1-S6 kW** 10/12  
**S1-S6 Nm** 8/8.8  
**rpm** 24000  
**S1-S6 A** 21.3/22  
**Volt** 380  
**kg** 22  
**Pol es** 4  
**Supply** inverter

### EQUIPAGGIAMENTO / EQUIPMENT

**ER 32 DX**  
**COMPRESSED AIR** Compressed air cooling  
**Manual tool change (M.T.C.)**  
**Ceramic ball bearings**  
**Labyrinth with air seal**  
**Grease lubrication**

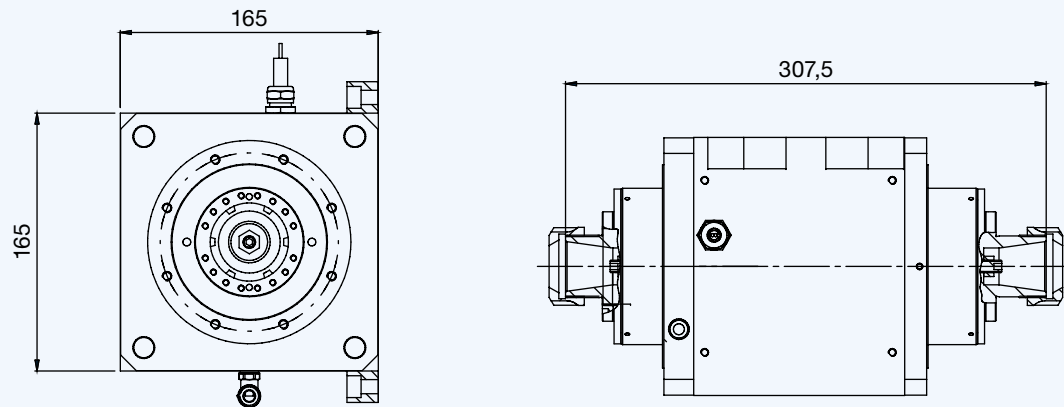
# MULTITECH ML

SUITABLE FOR MACHINING LATEST MATERIALS IN DUST ENVIRONMENTS  
EASY ASSEMBLING ON BIROTARY HEADS  
VERY EFFICIENT COMPRESSED AIR COOLING  
AVAILABLE WITH ER 32 AND ER 40



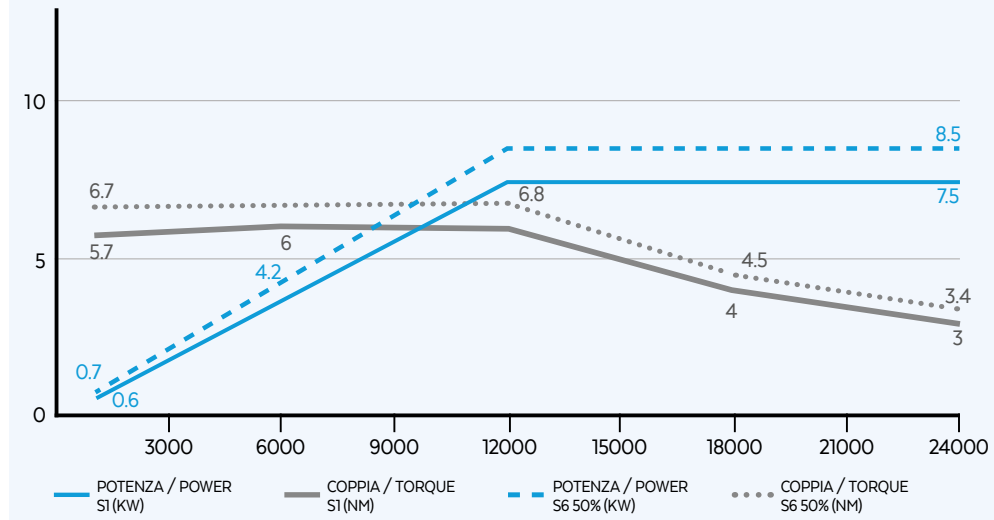
LAYOUT ER 40 DX-SX

2 ENDS

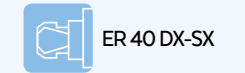


## ML-1C 7.5/12 24

### PRESTAZIONI / PERFORMANCES



### OPZIONALI / OPTIONS



### SPECIFICHE TECNICHE / TECHNICAL SPECIFICATIONS

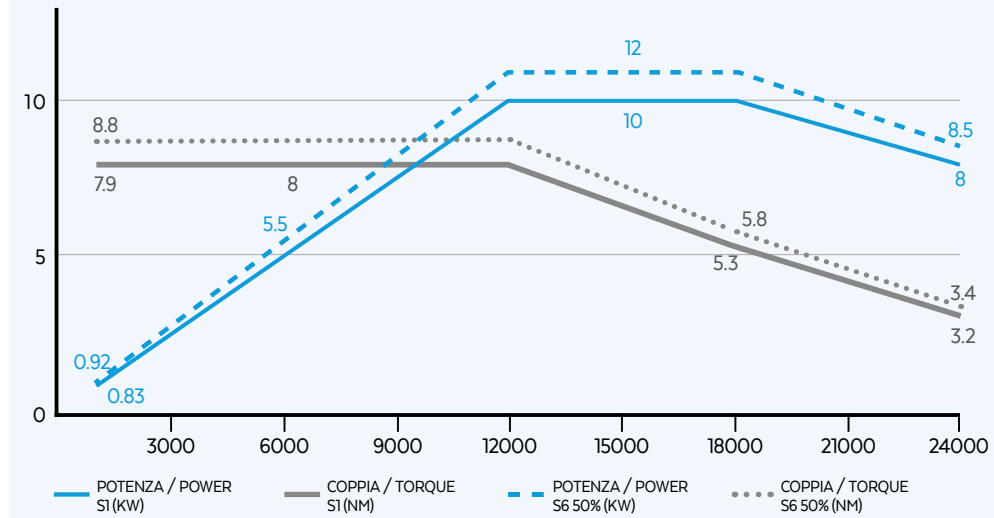
**S1-S6 kW** 7.5/8.5  
**S1-S6 Nm** 6/6.8  
**rpm** 24000  
**S1-S6 A** 16/17  
**Volt** 380  
**kg** 22  
**Pol es** 4  
**Supply** inverter

### EQUIPAGGIAMENTO / EQUIPMENT

**ER 32 DX-SX**  
**COMPRESSED AIR** Compressed air cooling  
**Manual tool change (M.T.C.)**  
**Grease lubrication**  
**Ceramic ball bearings**  
**Labyrinth with air seal**

## ML-1C 10/12 24

### PRESTAZIONI / PERFORMANCES



### OPZIONALI / OPTIONS



### SPECIFICHE TECNICHE / TECHNICAL SPECIFICATIONS

**S1-S6 kW** 10/12  
**S1-S6 Nm** 8/8.8  
**rpm** 24000  
**S1-S6 A** 21.3/22  
**Volt** 380  
**kg** 22  
**Pol es** 4  
**Supply** inverter

### EQUIPAGGIAMENTO / EQUIPMENT

**ER 32 DX-SX**  
**COMPRESSED AIR** Compressed air cooling  
**Manual tool change (M.T.C.)**  
**Grease lubrication**  
**Ceramic ball bearings**  
**Labyrinth with air seal**

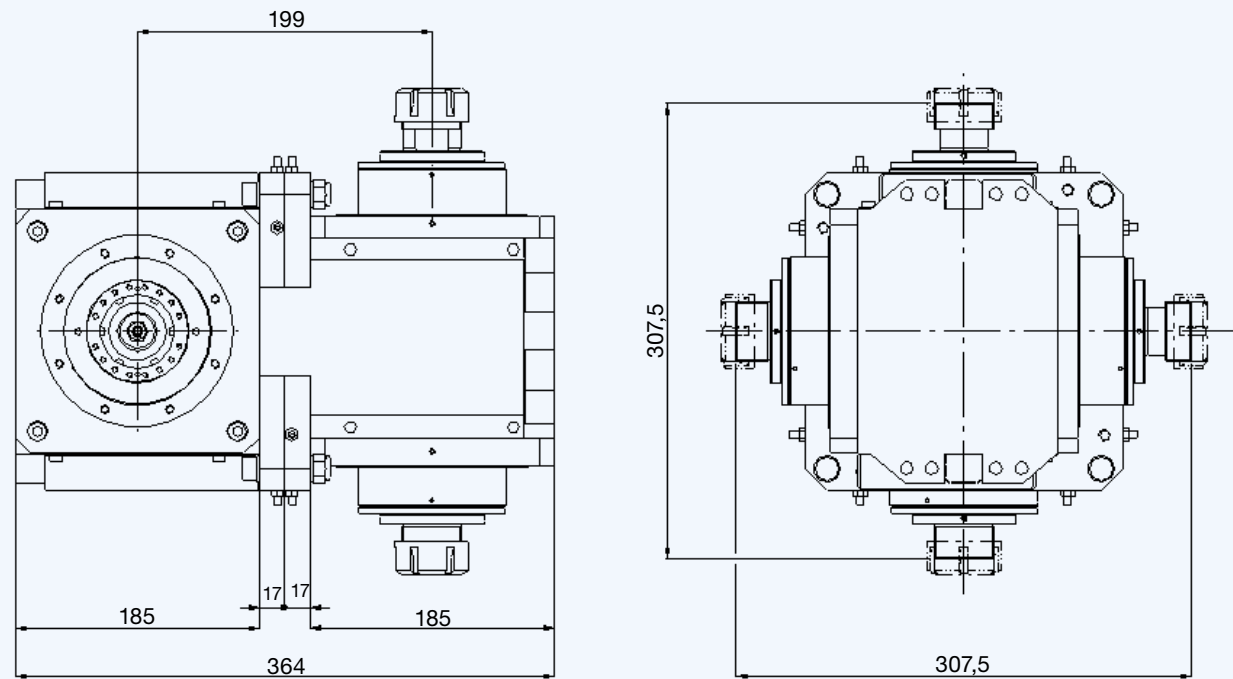
# MULTITECH ML

SUITABLE FOR MACHINING LATEST MATERIALS IN DUST ENVIRONMENTS  
EASY ASSEMBLING ON BIROTARY HEADS  
VERY EFFICIENT COMPRESSED AIR COOLING  
AVAILABLE WITH ER 32 AND ER 40



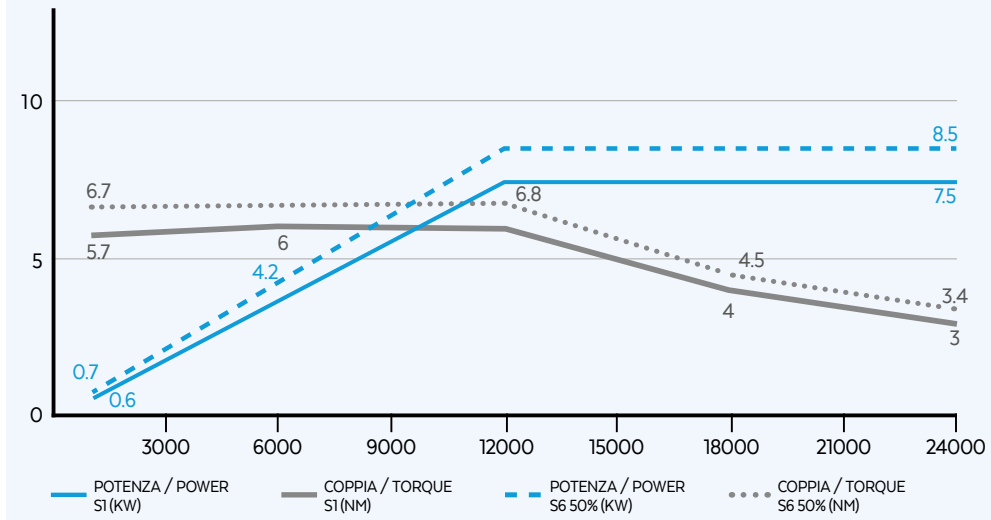
LAYOUT ER 32 DX-SX

2 ENDS



## ML-1C 7.5/12 24

### PRESTAZIONI / PERFORMANCES



### OPZIONALI / OPTIONS



### SPECIFICHE TECNICHE / TECHNICAL SPECIFICATIONS

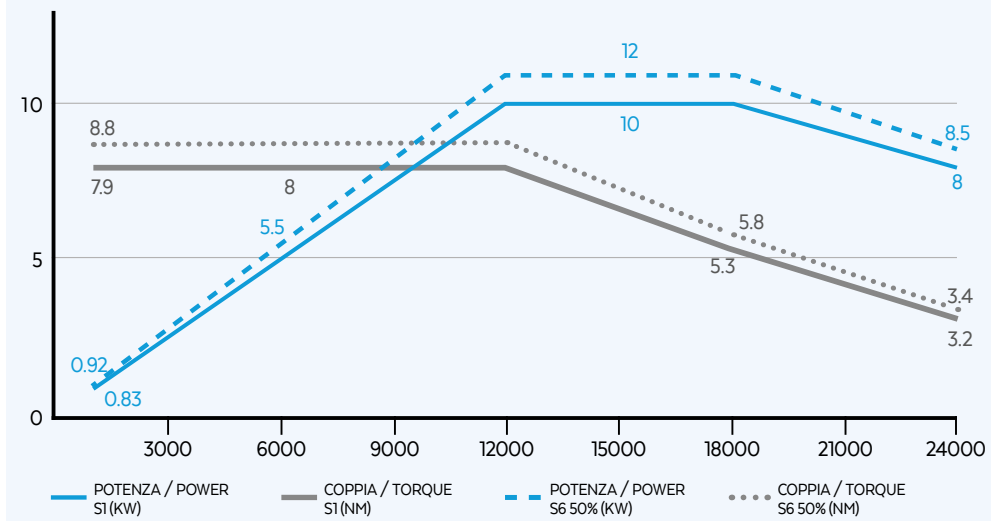
**S1-S6 kW** 7.5/8.5  
**S1-S6 Nm** 6/6.8  
**rpm** 24000  
**S1-S6 A** 16/17  
**Volt** 380  
**kg** 22  
**Pol es** 4  
**Supply** inverter

### EQUIPAGGIAMENTO / EQUIPMENT

**ER 32 DX-SX**  
**COMPRESSED AIR** Compressed air cooling  
**Ceramic ball bearings**  
**Labyrinth with air seal**  
**Manual tool change (M.T.C.)**  
**Grease lubrication**

## ML-1C 10/12 24

### PRESTAZIONI / PERFORMANCES



### OPZIONALI / OPTIONS



### SPECIFICHE TECNICHE / TECHNICAL SPECIFICATIONS

**S1-S6 kW** 10/12  
**S1-S6 Nm** 8/8.8  
**rpm** 24000  
**S1-S6 A** 21.3/22  
**Volt** 380  
**kg** 22  
**Pol es** 4  
**Supply** inverter

### EQUIPAGGIAMENTO / EQUIPMENT

**ER 32 DX-SX**  
**COMPRESSED AIR** Compressed air cooling  
**Ceramic ball bearings**  
**Labyrinth with air seal**  
**Manual tool change (M.T.C.)**  
**Grease lubrication**



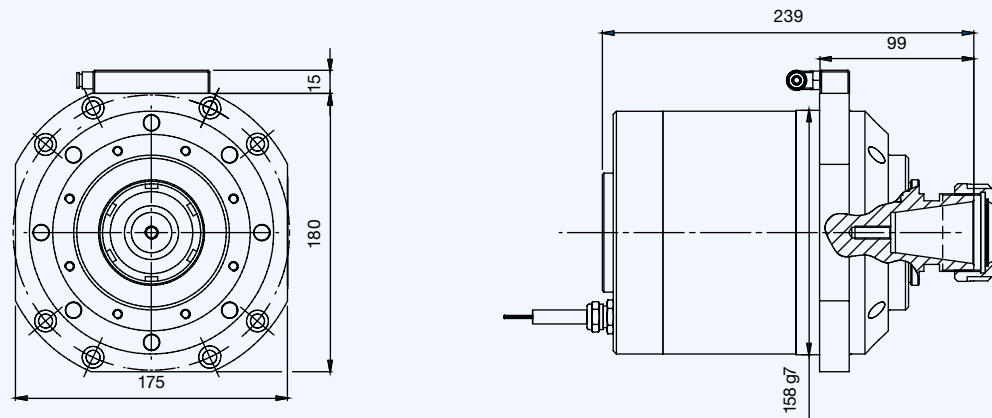
# MULTITECH ML

SUITABLE FOR MACHINING LATEST MATERIALS IN DUST ENVIRONMENTS  
EASY ASSEMBLING ON BIROTARY HEADS  
AVAILABLE WITH LIQUID COOLING TO FOR HEAVY AND INTENSIVE PROCESSES  
AVAILABLE WITH ER 32 AND ER 40



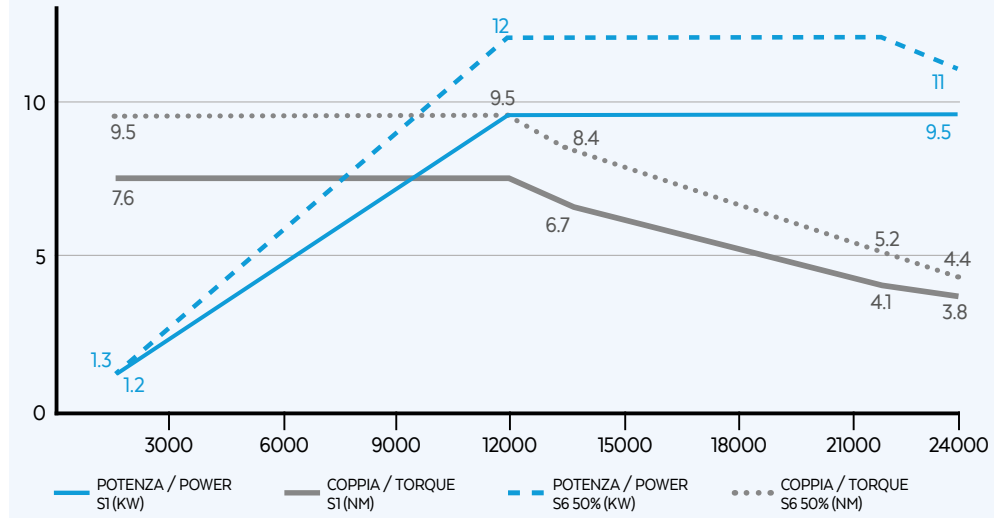
## LAYOUT ER 40DX

1 END



## ML-2 9.5/12 24

### PRESTAZIONI / PERFORMANCES



### SPECIFICHE TECNICHE / TECHNICAL SPECIFICATIONS

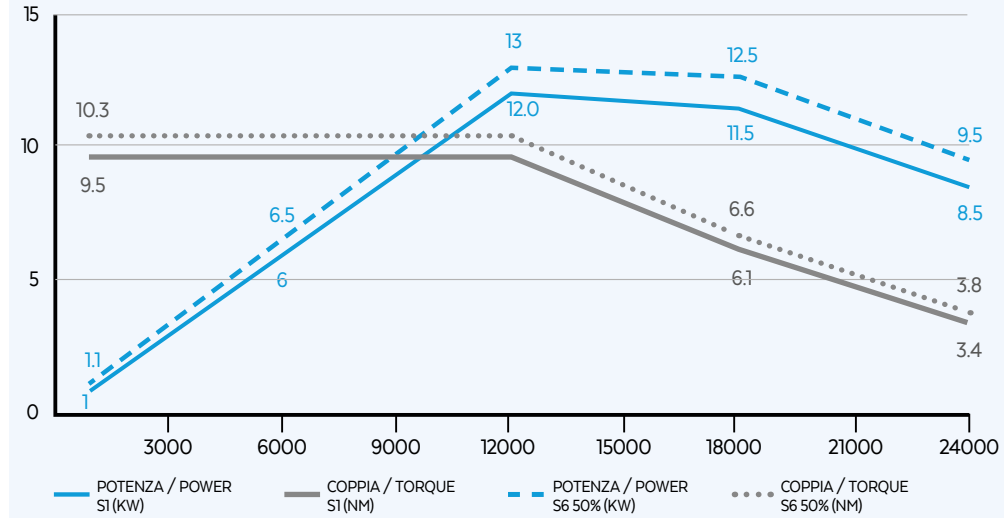
**S1-S6 kW** 9.5/12  
**S1-S6 Nm** 7.6/9.5  
**rpm** 24000  
**S1-S6 A** 22/27  
**Volt** 380  
**kg** 26  
**Pol es** 4  
**Supply** inverter

### EQUIPAGGIAMENTO / EQUIPMENT

**ER 40DX**  
**Liquid cooling**  
**Manual tool change (M.T.C.)**  
**Grease lubrication**  
**Ceramic ball bearings**  
**Labyrinth with air seal**

## ML-2 12/12 24

### PRESTAZIONI / PERFORMANCES



### SPECIFICHE TECNICHE / TECHNICAL SPECIFICATIONS

**S1-S6 kW** 12/13  
**S1-S6 Nm** 9.5/10.3  
**rpm** 24000  
**S1-S6 A** 25/28  
**Volt** 380  
**kg** 23  
**Pol es** 4  
**Supply** inverter

### EQUIPAGGIAMENTO / EQUIPMENT

**ER 40DX**  
**Liquid cooling**  
**Manual tool change (M.T.C.)**  
**Grease lubrication**  
**Ceramic ball bearings**  
**Labyrinth with air seal**

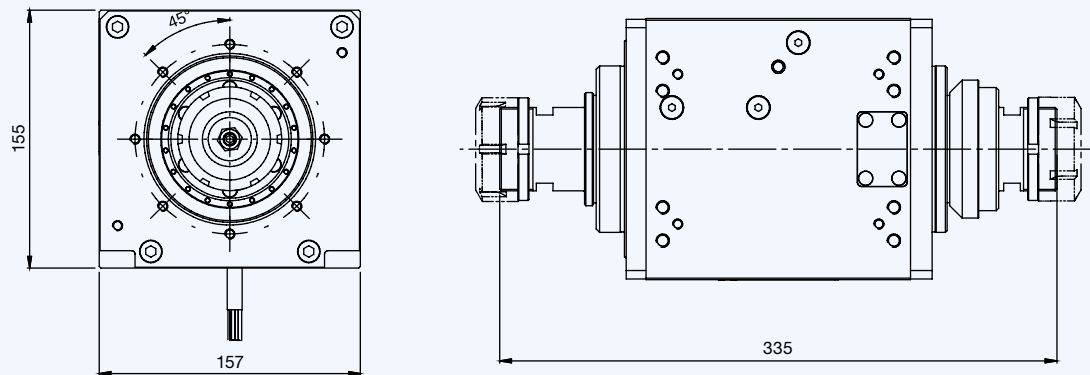
# MULTITECH ML

SUITABLE FOR MACHINING LATEST MATERIALS IN DUST ENVIRONMENTS  
EASY ASSEMBLING ON BIROTARY HEADS  
AVAILABLE WITH LIQUID COOLING TO FOR HEAVY AND INTENSIVE PROCESSES  
AVAILABLE WITH ER 32 AND ER 40



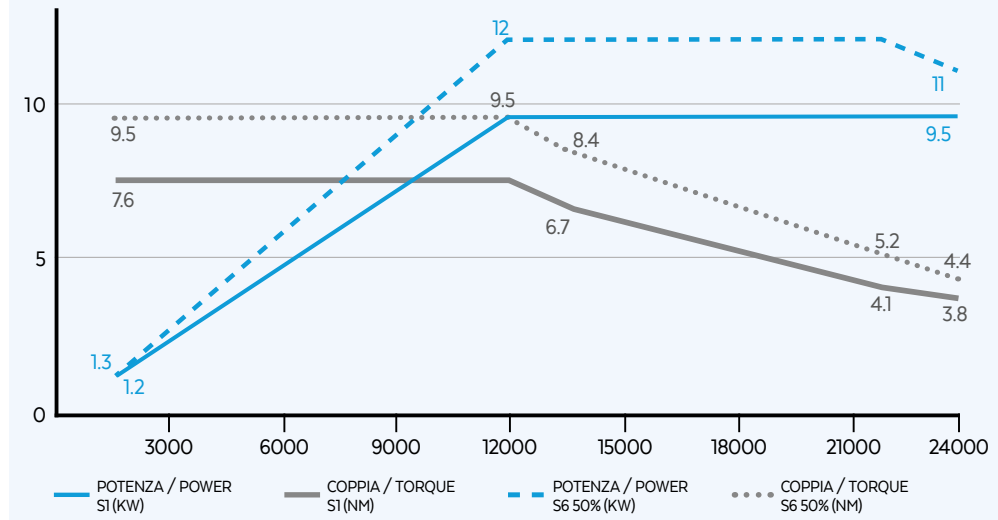
LAYOUT ER 40 DX-SX

2 ENDS



## ML-2 9.5/12 24

### PRESTAZIONI / PERFORMANCES



### SPECIFICHE TECNICHE / TECHNICAL SPECIFICATIONS

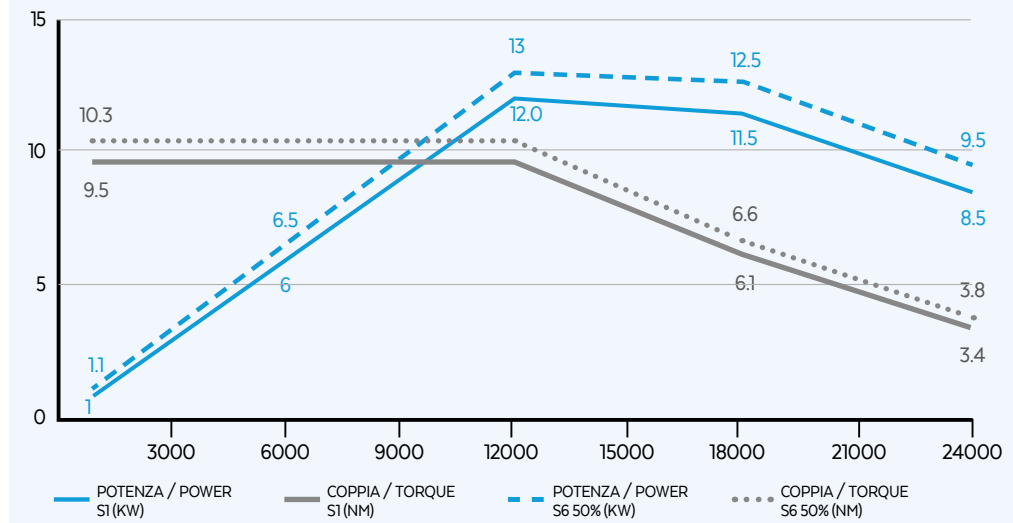
**S1-S6 kW** 9.5/12  
**S1-S6 Nm** 7.6/9.5  
**rpm** 24000  
**S1-S6 A** 22/27  
**Volt** 380  
**kg** 26  
**Pol es** 4  
**Supply** inverter

### EQUIPAGGIAMENTO / EQUIPMENT

**ER 40 DX-SX**  
**Liquid cooling**  
**Manual tool change (M.T.C.)**  
**Grease lubrication**  
**Ceramic ball bearings**  
**Labyrinth with air seal**

## ML-2 12/12 24

### PRESTAZIONI / PERFORMANCES



### SPECIFICHE TECNICHE / TECHNICAL SPECIFICATIONS

**S1-S6 kW** 12/13  
**S1-S6 Nm** 9.5/10.3  
**rpm** 24000  
**S1-S6 A** 25/28  
**Volt** 380  
**kg** 26  
**Pol es** 4  
**Supply** inverter

### EQUIPAGGIAMENTO / EQUIPMENT

**ER 40DX**  
**Liquid cooling**  
**Manual tool change (M.T.C.)**  
**Grease lubrication**  
**Ceramic ball bearings**  
**Labyrinth with air seal**

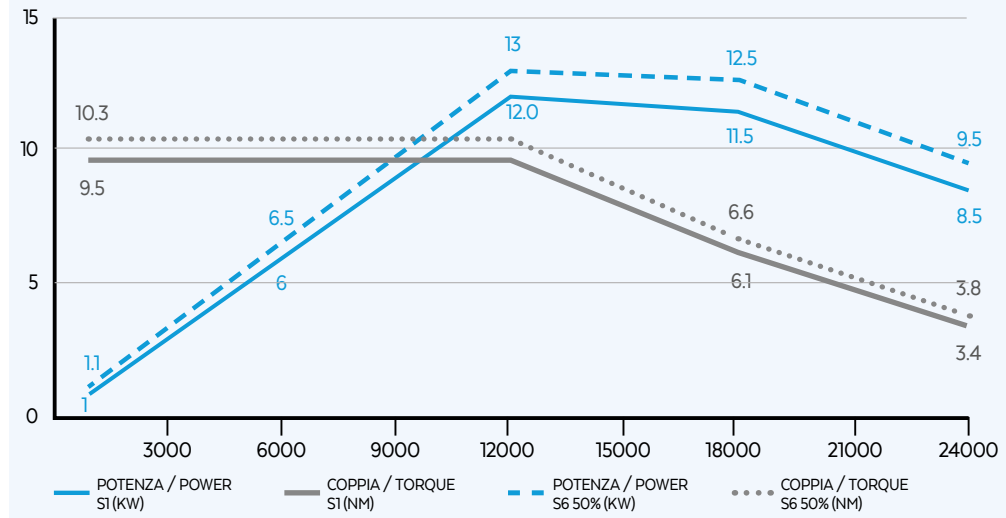
# MULTITECH ML

SUITABLE FOR MACHINING LATEST MATERIALS IN DUST ENVIRONMENTS  
EASY ASSEMBLING ON BIROTARY HEADS  
AVAILABLE WITH LIQUID COOLING TO FOR HEAVY AND INTENSIVE PROCESSES  
AVAILABLE WITH ER 32 AND ER 40



ML-2 12/12 24

### PRESTAZIONI / PERFORMANCES



### SPECIFICHE TECNICHE / TECHNICAL SPECIFICATIONS

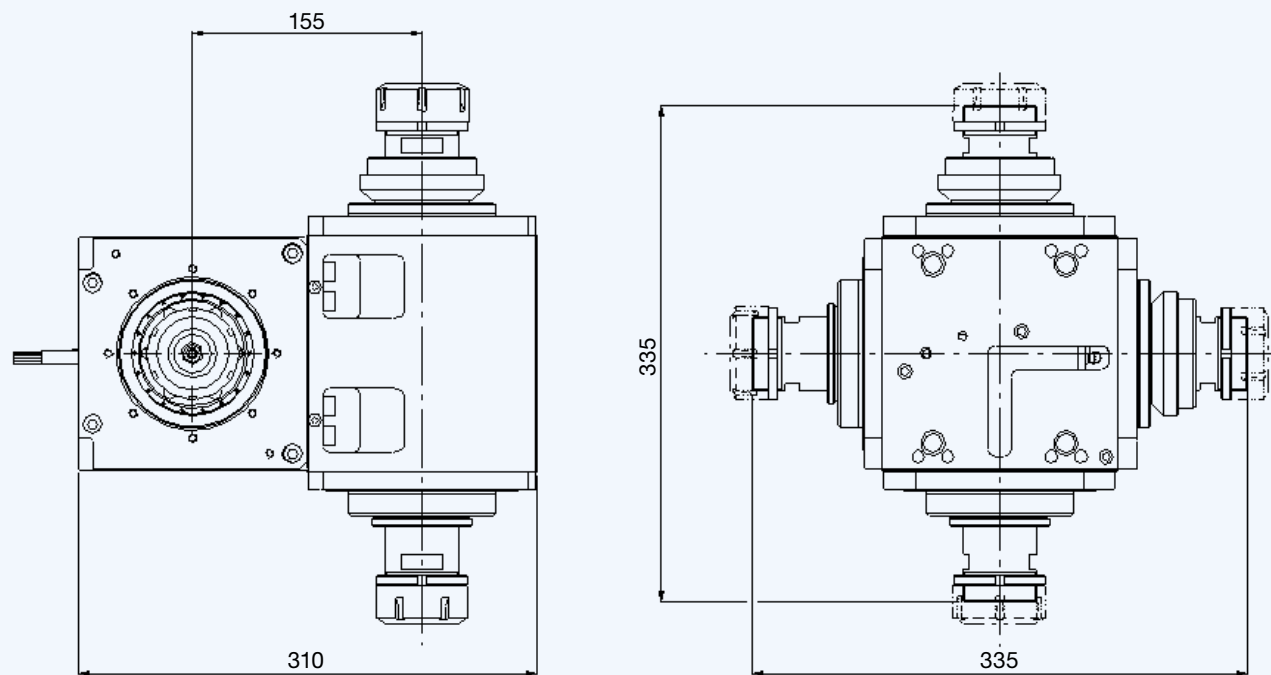
- S1-S6 kW** 12/13
- S1-S6 A** 25/28
- Pol es** 4
- S1-S6 Nm** 9.5/10.3
- Volt** 380
- Supply** inverter
- rpm** 24000
- kg** 26

### EQUIPAGGIAMENTO / EQUIPMENT

- ER 40 DX-SX**
- Liquid cooling**
- Manual tool change (M.T.C)**
- Grease lubrication**
- Ceramic ball bearings**
- Labyrinth with air seal**

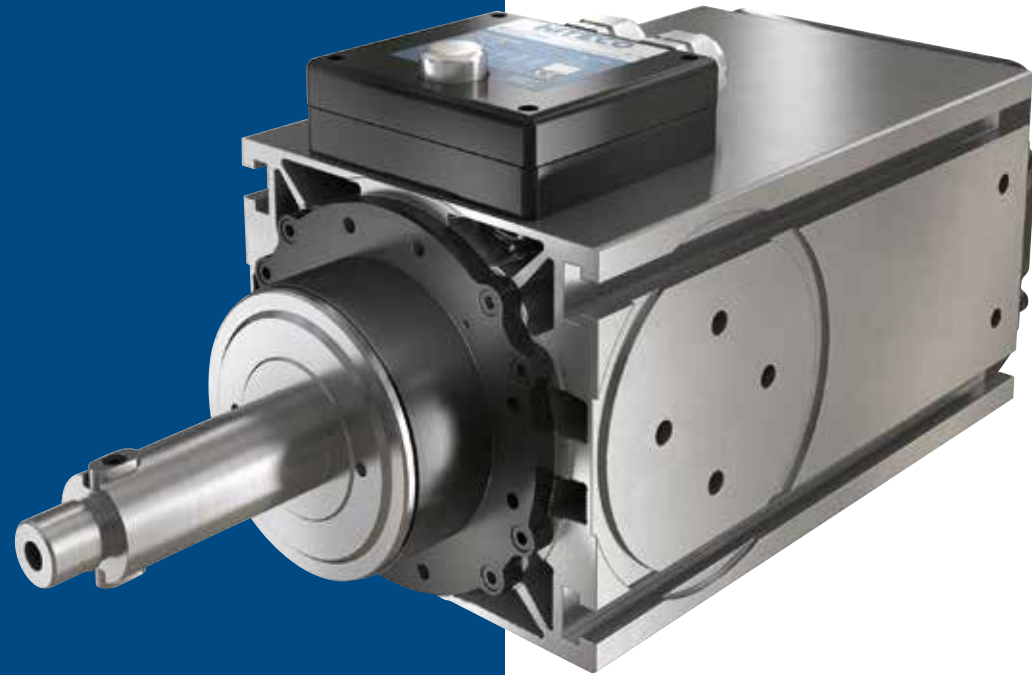
### LAYOUT ER 40 DX-SX

2 ENDS



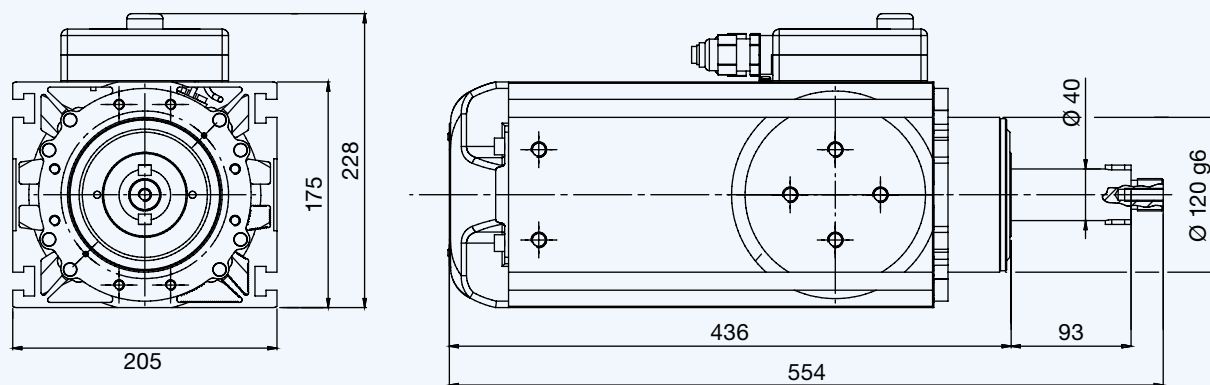


# MULTITECH MQH



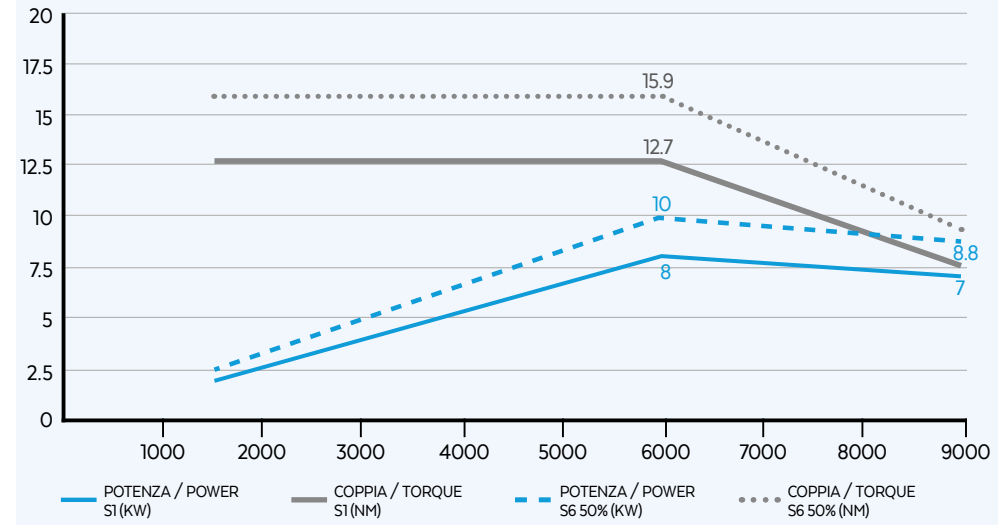
SUITABLE FOR MACHINING WOOD  
POWER UP TO 13 KW  
SHAFT ROTATION SENSOR

## LAYOUT D40



## MQH-18/6 9

### PRESTAZIONI / PERFORMANCES



### SPECIFICHE TECNICHE / TECHNICAL SPECIFICATIONS

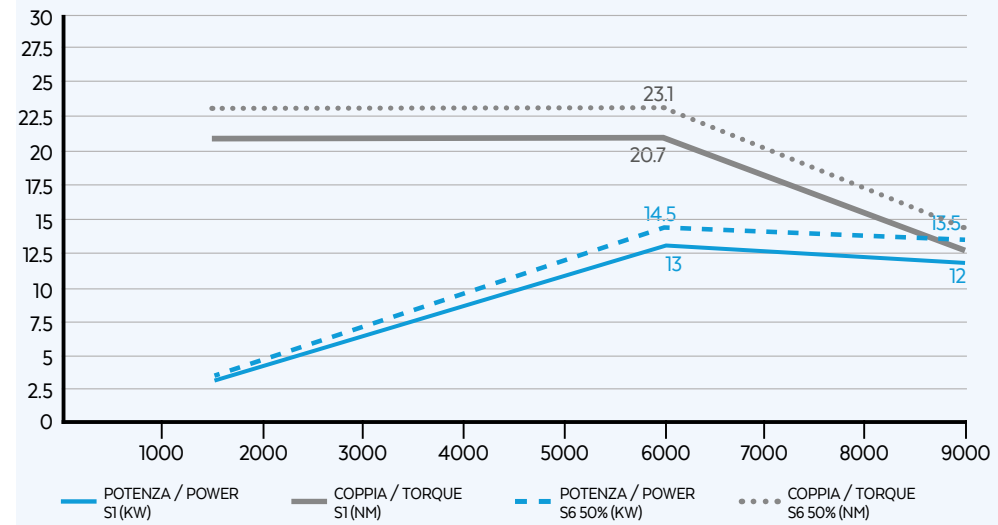
**S1-S6 kW** 8/10  
**S1-S6 A** 15.8/18.7  
**Pol es** 4  
**S1-S6 Nm** 12.7/15.9  
**Volt** 380  
**Supply** inverter  
**rpm** 9000  
**kg** 55

### EQUIPAGGIAMENTO / EQUIPMENT

**Shaft D40**  
**Cooling by shaft-driven fan**  
**Manual tool change (M.T.C)**  
**Steel bearings**  
**Grease lubrication**  
**Sensors s3** Sensors s3

## MQH-113/6 9

### PRESTAZIONI / PERFORMANCES



### SPECIFICHE TECNICHE / TECHNICAL SPECIFICATIONS

**S1-S6 kW** 13/14.5  
**S1-S6 A** 25.8/30  
**Pol es** 4  
**S1-S6 Nm** 20.7/23.1  
**Volt** 380  
**Supply** inverter  
**rpm** 9000  
**kg** 55

### EQUIPAGGIAMENTO / EQUIPMENT

**Shaft D40**  
**Cooling by shaft-driven fan**  
**Manual tool change (M.T.C)**  
**Steel bearings**  
**Grease lubrication**  
**Sensors s3** Sensors s3

## C-Axis FOR POWERTECH 300-400



Compass Naso corto (NC) con 3 utenze pneumatiche, con servomotore Yaskawa  
Compass Short Nose (NC) with 3 pneumatic connections With Yaskawa servo-motor

Compass Naso lungo (NL) con 3 utenze pneumatiche, con servomotore Yaskawa  
Compass Long Nose (NL) with 3 pneumatic connections With Yaskawa servo-motor

### OPZIONALI / OPTIONS

Disponibile senza servomotore  
Available without servomotor

## CONO PORTA UTENSILE TOOL HOLDER



Tool holder  
Cono porta utensile HSK63A ER 32 M40X1.5\_DX

Tool holder  
Cono porta utensile HSK63F ER 32 M40X1.5\_DX

Tool holder  
Cono porta utensile ISO30 ER 32 M40X1.5\_DX

Per altre tipologie di pinze porta utensile, contatta lo staff Hiteco  
For other tool holder types, please contact Hiteco staff

## PINZA PORTA UTENSILE TOOL FINGER



Tool finger  
Pinza porta utensile HSK 63A

Tool finger  
Pinza porta utensile HSK 63F

Tool finger  
Pinza porta utensile ISO 30

Per altre tipologie di pinze porta utensile, contatta lo staff Hiteco  
For other tool finger sizes, please contact Hiteco staff

## RIFERIMENTO TESTINE ANTI-ROTATION SLEEVES



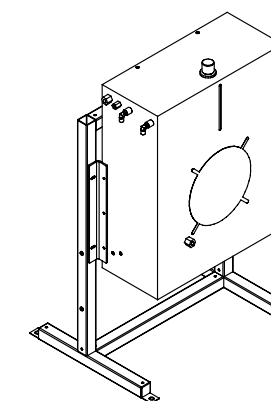
Riferimento testine per PT200: 2 posizioni, senza utenze pneumatiche  
Anti-rotation sleeve for PT 200: 2 positions Without pneumatic connections

Riferimento testine per PT250: 2 posizioni, con o senza utenze pneumatiche  
Anti-rotation sleeves for PT 250: 2 positions With or without pneumatic connections

Riferimento testine per PT300-400: 2 posizioni, disponibile in versione Naso corto e Naso lungo (NC e NL), con e senza utenze pneumatiche  
Anti-rotation sleeves for PT 300-400: 2 positions Available with Short and Long Nose (NC and NL) With or without pneumatic connections

Riferimento testine per mandrini 5 assi (con 1 utenza pneumatica)  
Anti-rotation sleeves for 5-axis spindles With 1 pneumatic connection

## SCAMBIATORE DI CALORE HEAT EXCHANGER



Potenza di raffreddamento  
Cooling power 5000 W with liquid temperature +40°, air temperature +20°C

Portata liquido  
Liquid flow 4 lt/min at 5,5 bar

Capacità serbatoio  
Tank capacity 5 lt

### OPZIONALI / OPTIONS

Disponibile versione senza supporto e tubi flessibili  
Available without support and flexible hoses







ss 258 Marecchia, 34 47826 Villa Verucchio, Rimini - Italia  
tel. +39.0541.674940 - fax +39.0541.674962  
[www.hiteco.net](http://www.hiteco.net)